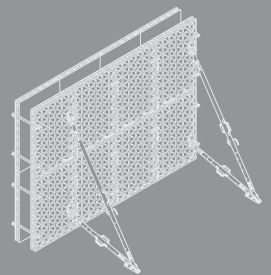
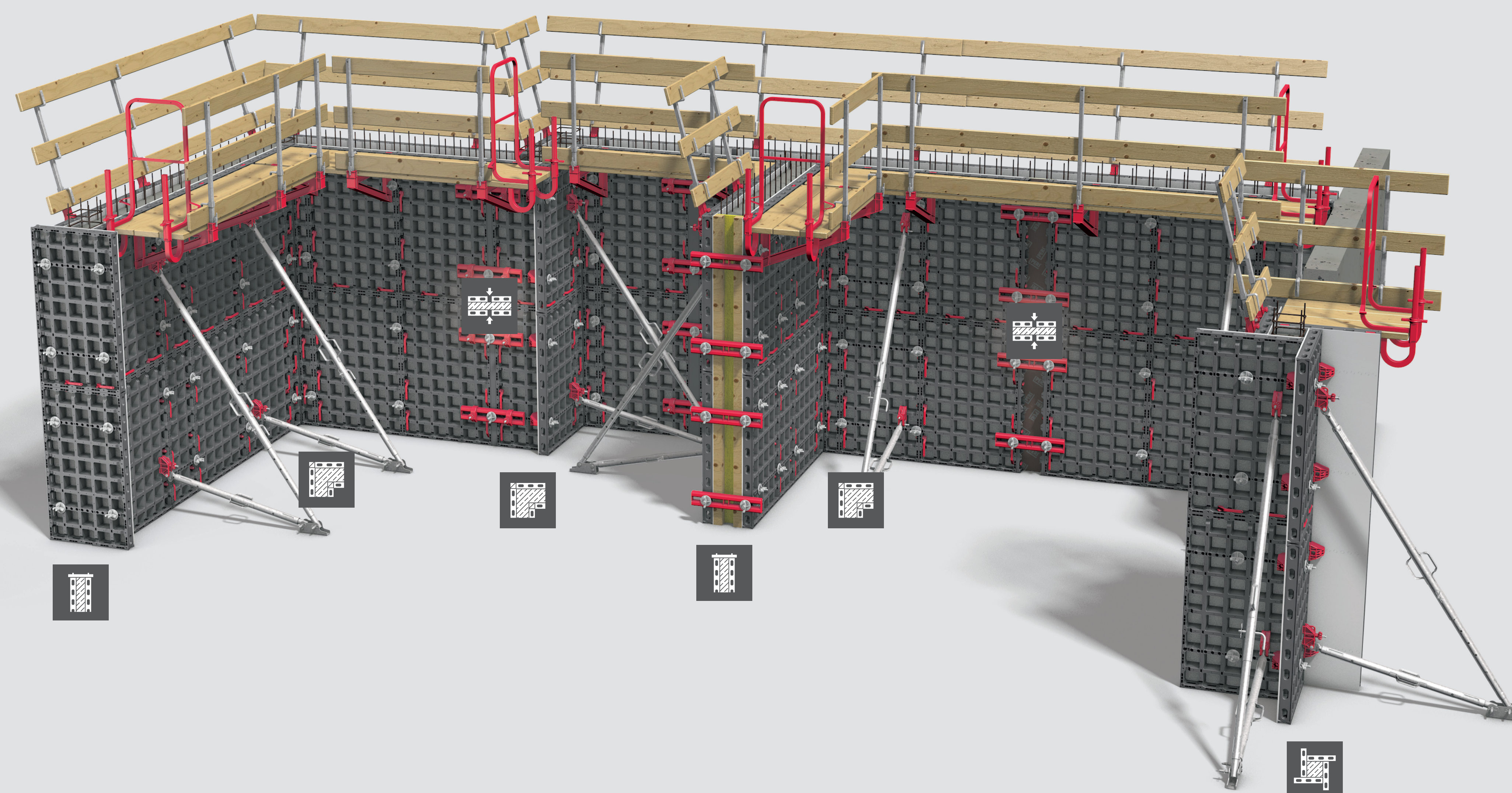
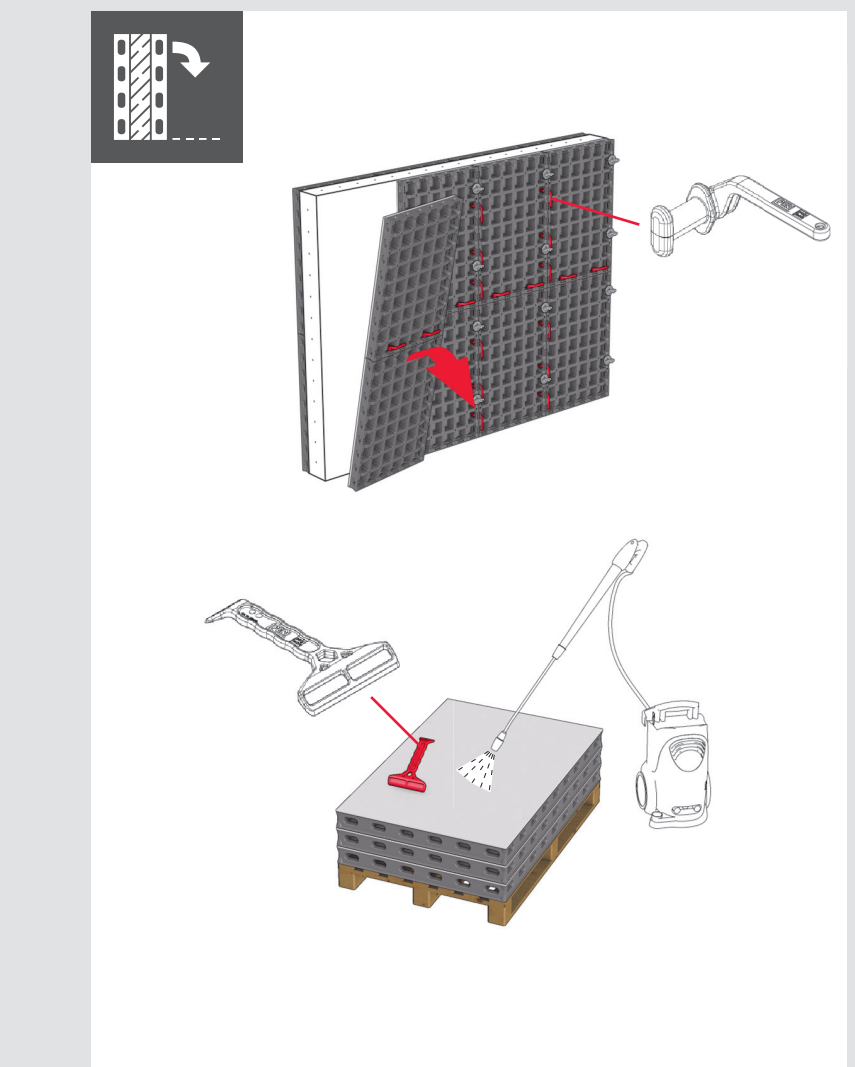
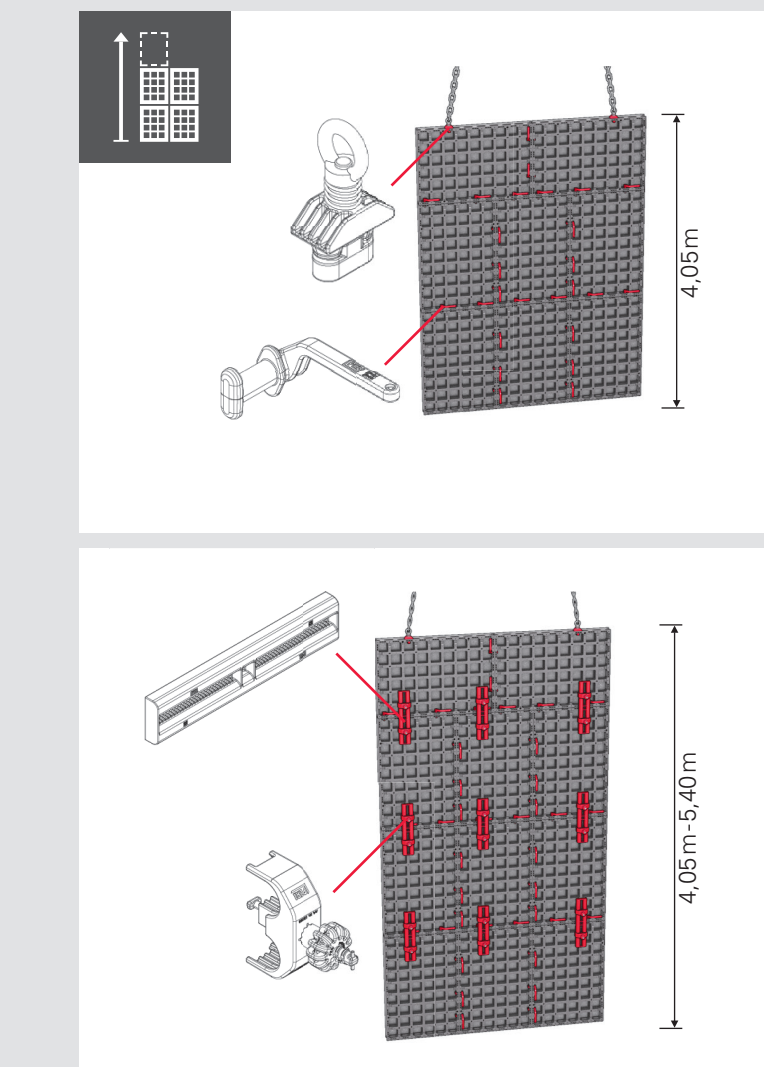
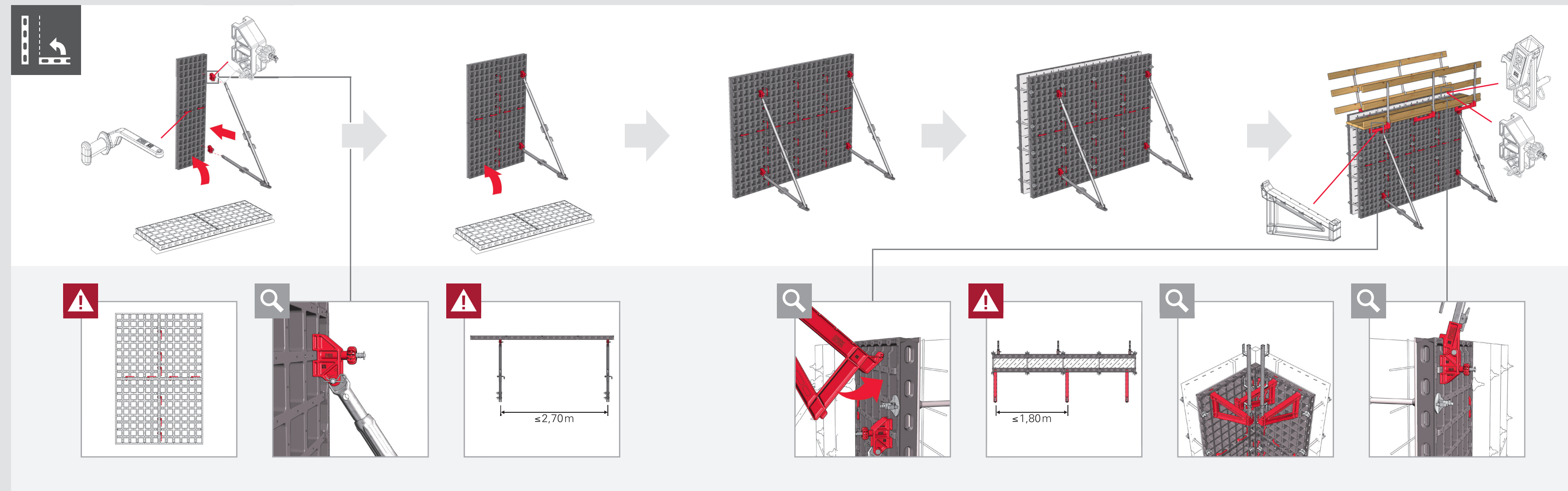
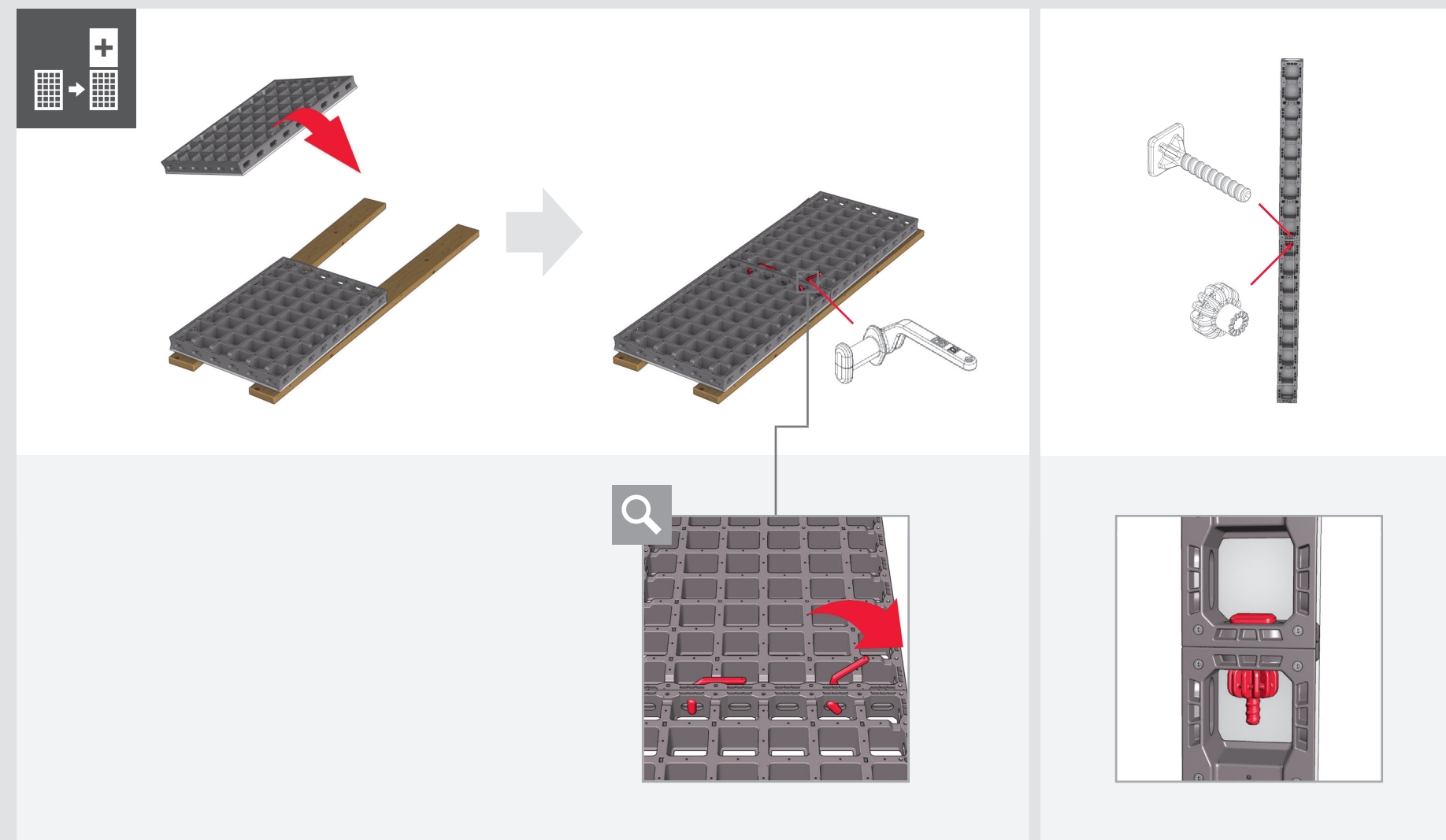
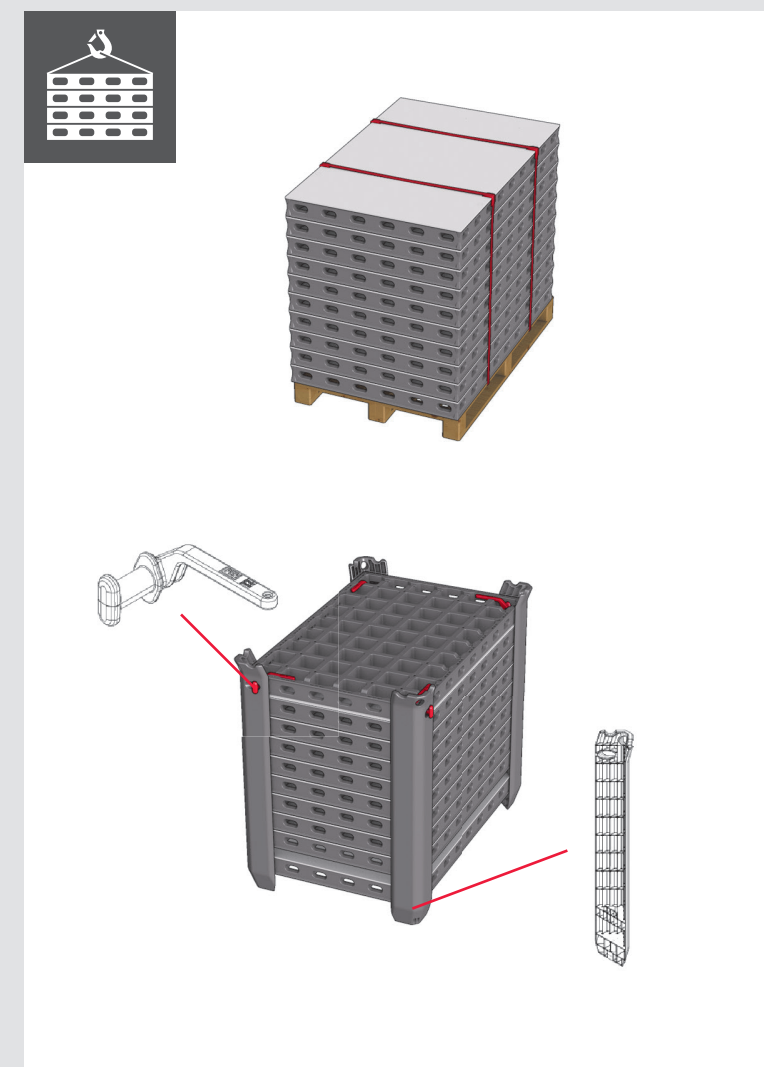
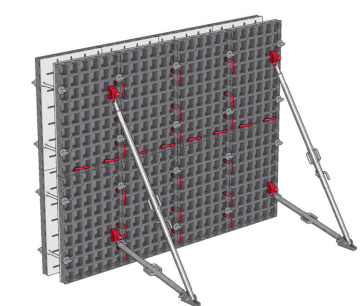


DUO

As Wall and Column Formwork

Visual User's Guide





i

1 **2**

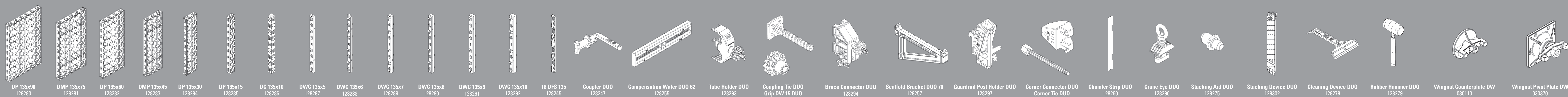
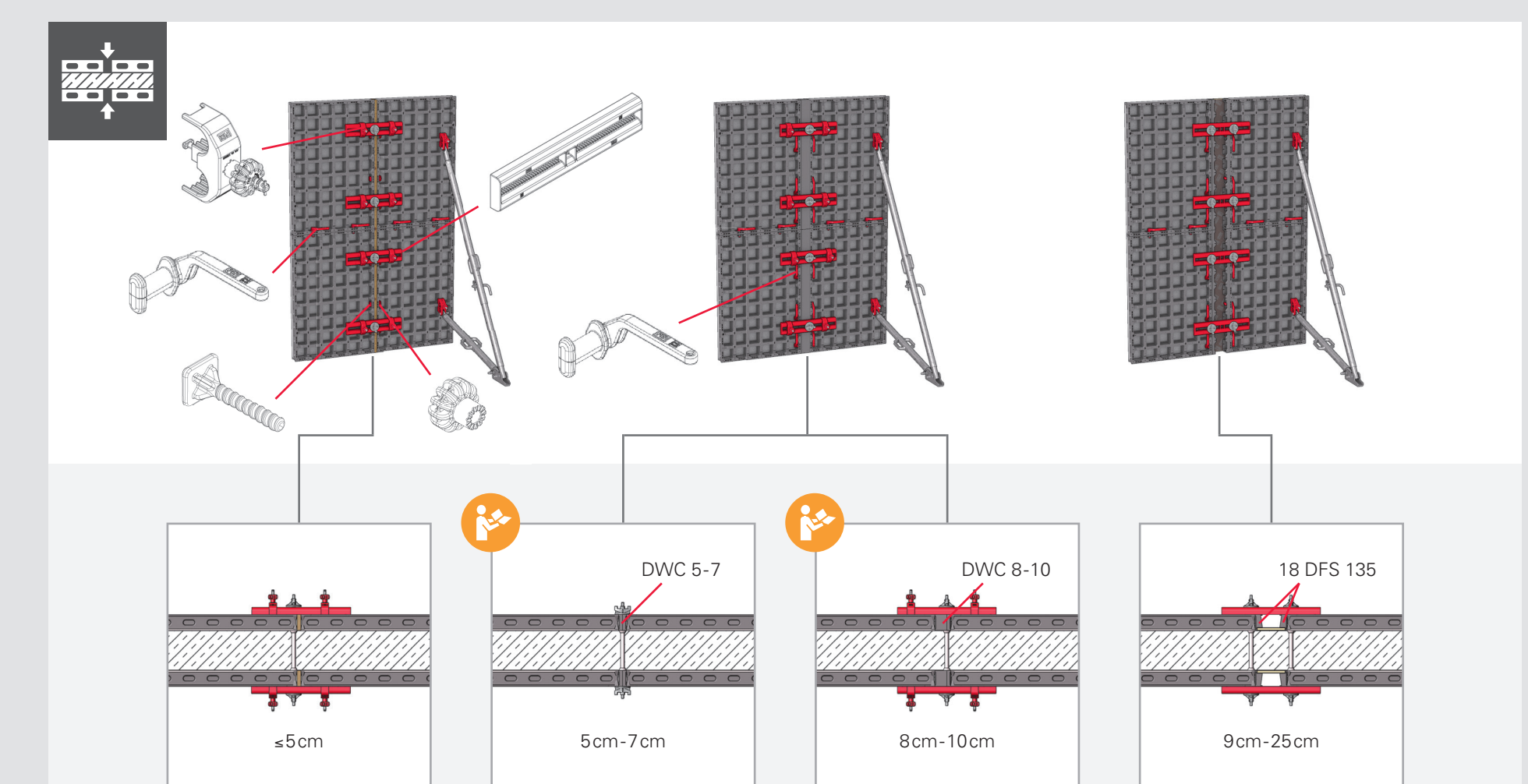
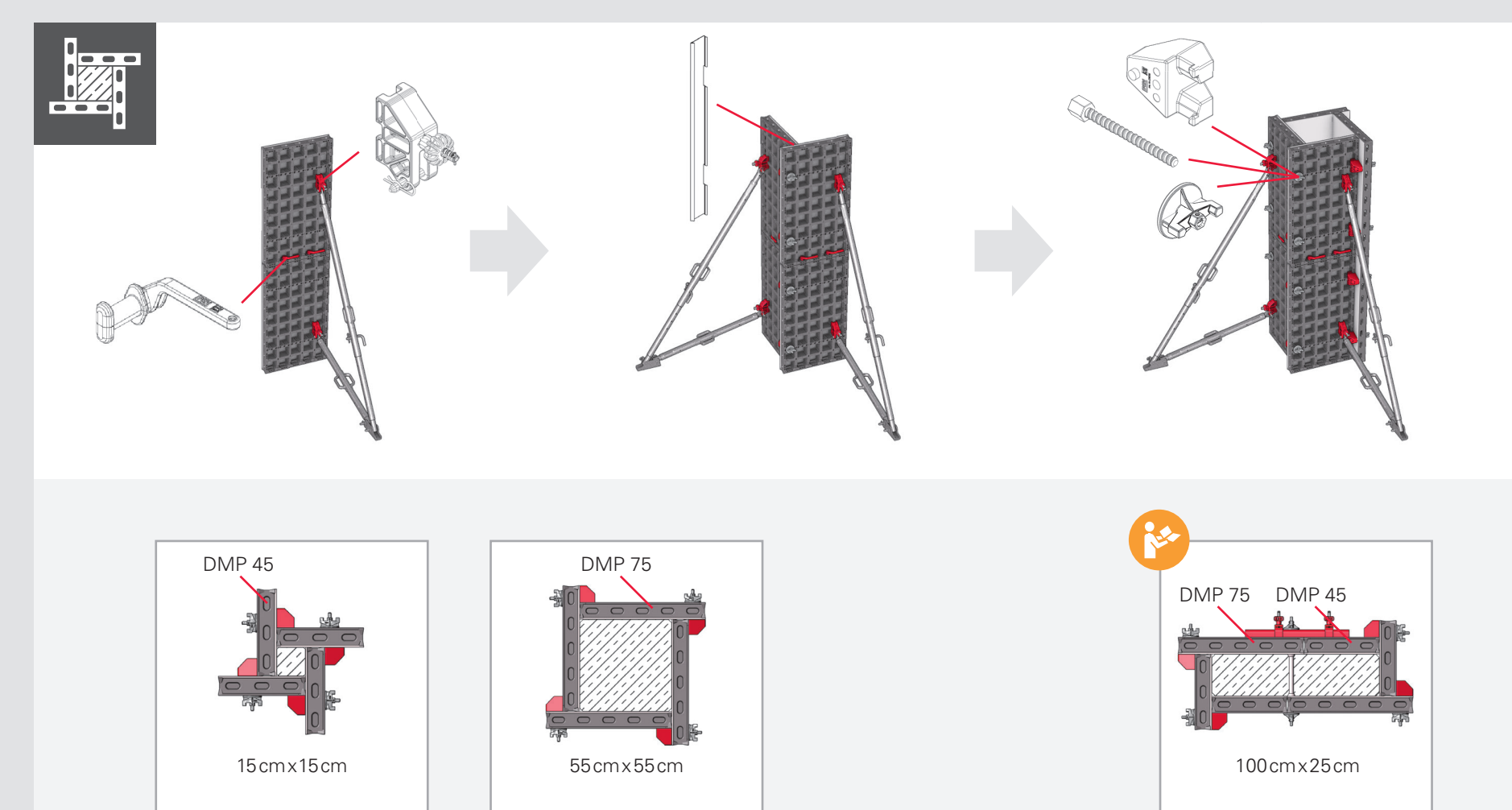
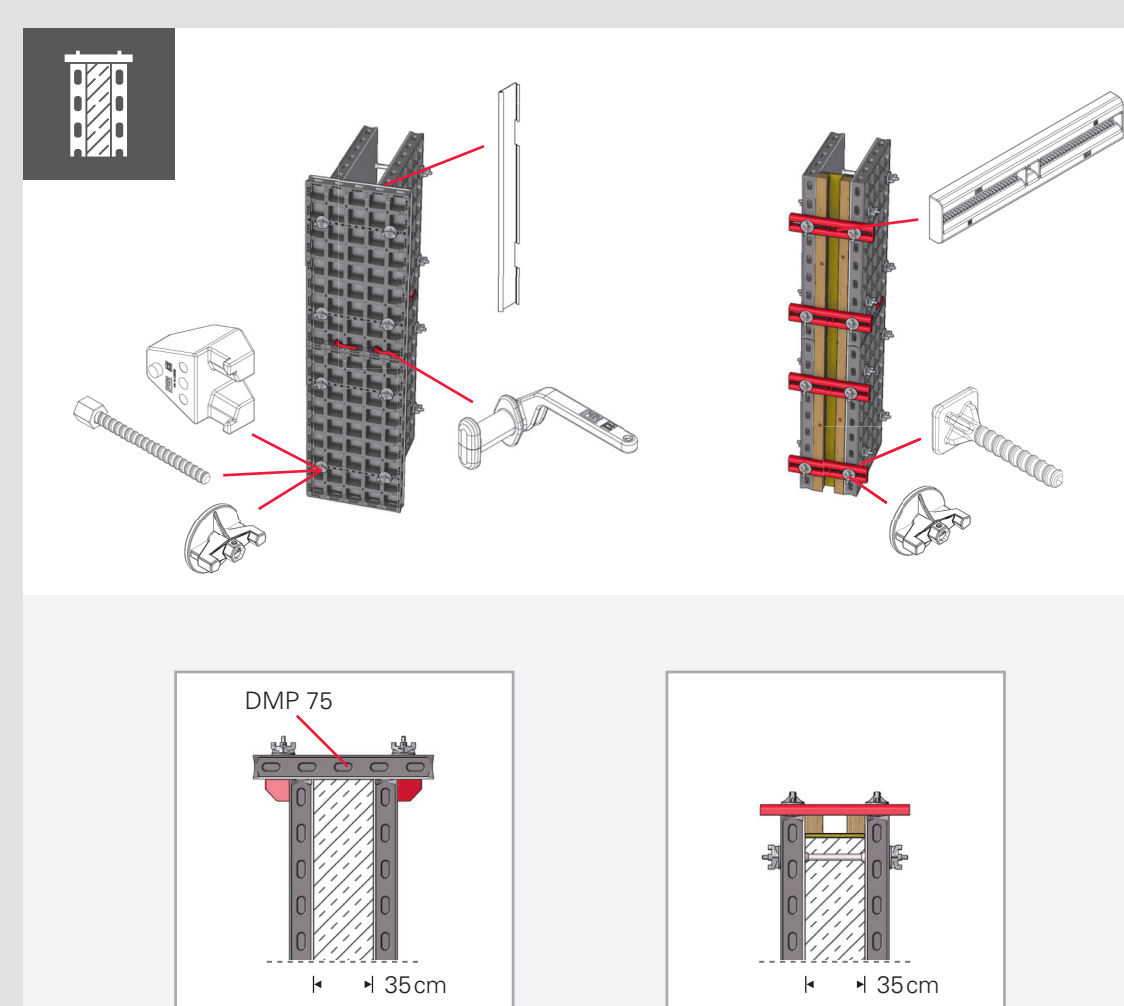
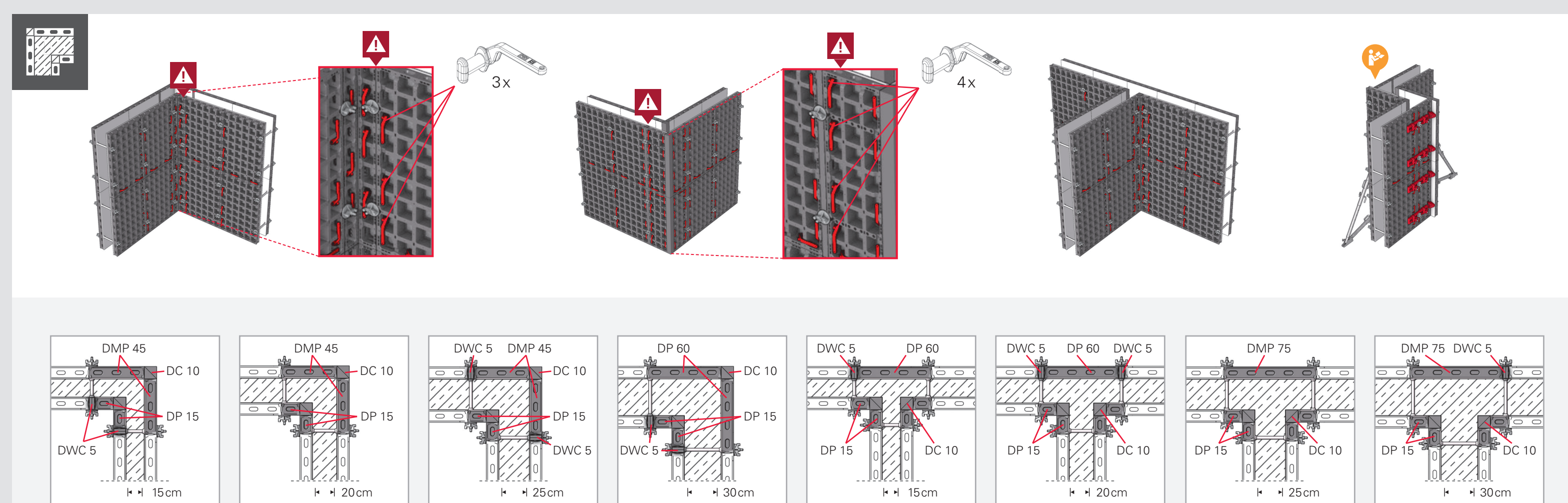
This poster only partially presents the intended use of the formwork system DUO. The poster may only be used in connection with the corresponding instructions for Assembly and Use and Original Instructions created for this formwork system and accessories.

All current laws and regulations in those states and countries where our products are to be used must be observed. If no country-specific regulations exist, we recommend proceeding in accordance with German rules and regulations.

PERI
Formwork Scaffolding Engineering
Rudolf-Diesel-Strasse 19
92564 Weisenhorn
Germany
Tel: +49 (0)7309 950-0
Fax: +49 (0)7309 951-10
info@peri.com
www.peri.com

A

U



**The optimal System
for every Project and
every Requirement**



Wall Formwork



Column Formwork



Slab Formwork



Climbing Systems



Bridge Formwork



Tunnel Formwork



Shoring Systems



Construction Scaffold



Facade Scaffold



Industrial Scaffold



Access



Protection Scaffold



Safety Systems



System-Independent Accessories



Services



PERI
Formwork Scaffolding Engineering
 Rudolf-Diesel-Strasse 19
 89264 Weissenhorn
 Germany
 Tel. +49 (0) 7309.950-0
 Fax +49 (0) 7309.951-0
 info@peri.com
 www.peri.com