

PERI UP Easy*

The lightweight and fast frame scaffold for safe working on facades

Product Brochure



* If approval is required for the scaffolding system PERI UP Easy to be placed on the market in a country, PERI shall not bring the PERI UP Easy system to the market in that country until such approval has been granted.

Content

In focus

- 2 The PERI UP Easy Frame
- 3 PERI UP Easy Scaffold Decks

Advantages of PERI UP Easy

- 5 The lightweight and fast facade scaffolding for safe working conditions
- 6 Less weight
- 7 High degree of safety
- 8 Fast assembly
- 10 Special range of applications

PERI UP

- 12 The integral concept of the PERI UP scaffolding technology
- 13 The integrated scaffold nodes

System overview

- 14 PERI UP Easy at a glance

Standard applications

- 16 Execution of internal and external corners, connection of supports and console brackets
- 18 Attachment of external PERI UP Flex stairs, PERI UP Easy anchor connection, Assembly of internal braces

Edition 09 | 2016

Publisher

PERI GmbH
Formwork Scaffolding Engineering
Rudolf-Diesel-Strasse 19
89264 Weissenhorn
Germany
Tel. +49 (0)7309.950-0
Fax +49 (0)7309.951-0
info@peri.com
www.peri.com

Important notes

All current safety regulations and guidelines must be observed in those countries where our products are used.

The photos shown in this brochure feature construction sites in progress. For this reason, safety and anchor details in particular cannot always be considered as conclusive or final. These are subject to the risk assessment carried out by the contractor.

In addition, computer graphics are used which are to be understood as system representations. For ensuring a better understanding, these and the detailed illustrations shown have been partially

reduced to show certain aspects. The safety installations which have possibly not been shown in these detailed descriptions must nevertheless be available. The systems or items shown might not be available in every country.

Safety instructions and load specifications are to be strictly observed at all times. Separate structural calculations are required for any deviations from the standard design data.

The information contained herein is subject to technical changes in the interests of progress. Errors and typographical mistakes reserved.

The PERI UP Easy Frame

Fast working operations in facade scaffolding construction

The distinctive design detail of the Easy Frame is the integrated scaffold nodes. Ledgers, supports and console brackets are directly mounted in the openings of the Rosett nodes; couplers are not required. Thus, for example, corners or external flights of stairs can also be quickly installed.

The low weight of the individual system components facilitates fast assembly. The heaviest frame component is the Easy Frame which weighs 11.5 kg (for the 67 cm system width) or 12.5 kg (for the 100 cm system width).

Likewise, safety requirements are easily fulfilled with PERI UP Easy because the guardrail of the next scaffolding level is mounted from the lower level with the Easy Frame. For assembling the basic configuration, no personal protective equipment to prevent falling from a height is required.



The graphic shows the two available PERI UP Easy frames with 67 cm and 100 cm system widths respectively.

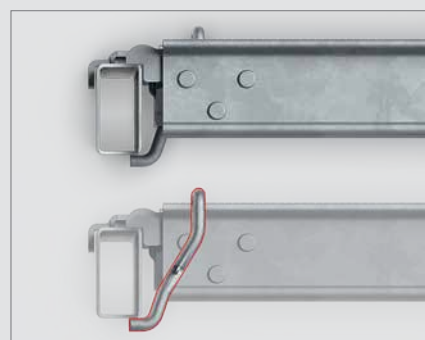
PERI UP Easy Scaffold Decks

The clever solution for all PERI UP applications

The decking for the PERI UP Easy facade scaffold is – as with all other PERI UP solutions – has integrated protection against lifting.

The integrated protection against lifting

The integrated clamp engages the rectangular ledger and thus secures the position of the decking. PERI UP decks are also secured against lifting after installation without requiring any additional components. In addition, individual scaffold bays can subsequently be removed if required, e.g. for bringing in materials.



Closed decking areas

PERI UP decking always completely covers the entire axial dimensions; there are no gaps or offsets between the decks – both from bay to bay as well as decks positioned parallel to each other. Covers for gaps in the decking are not required.



Continuous metric grid dimensions

PERI UP scaffolding technology is based on metric grid dimensions hence the Easy Frames are 67 cm and 100 cm wide. All PERI UP decks are available in incremental lengths of 50 cm whilst the width of the decking also takes into consideration the metre as the base unit.

Scaffolding	System width	Decking
PERI UP Easy Frame Scaffolding	67 cm (W 06)	Combi Deck W = 66 cm 2 x Steel Decks W = 33 cm
	100 cm (W 09)	3 x Steel Decks W = 33 cm 4 x Steel Decks W = 25 cm
PERI UP Flex Modular Scaffolding	75 cm (W 06)	3 x Steel Decks W = 25 cm
	100 cm (W 09)	3 x Steel Decks W = 33 cm 4 x Steel Decks W = 25 cm



PERI UP Easy

The lightweight and fast facade scaffolding for safe working conditions

PERI UP Easy is a "lightweight" under the steel facade scaffolding systems and stands for quick and simple assembly. As the guardrail of the next scaffolding level is mounted from the lower level with the Easy Frame, PERI UP Easy also provides a high level of safety in the system. Through the integrated scaffold nodes on the Easy Frame, PERI UP Easy can be combined with PERI UP Flex modular scaffolding.

The PERI UP Easy system width is 67 cm (for Width Class W 06) and 100 cm (for Width Class W 09) respectively. For the 67 cm system width, a one-piece combi-deck is available; alternatively, 33 cm wide steel decks can be used. For the 100 cm wide frame, 25 cm decks from the PERI UP Flex modular scaffolding system can also be installed.

All PERI UP decks have integrated protection against lifting. This is not only fast and safe but also allows subsequent opening and closing of individual scaffolding bays, e.g. for transporting materials.

Assembly of the basic configuration takes place virtually without couplers whilst the Easy quick anchoring system also reduces assembly times. Numerous well-considered details, such as the execution of the external and internal corners with very few individual components, make PERI UP Easy fast and highly efficient.

In addition, assembly of the PERI UP Easy is a very safe procedure: through the assembly logic with the Easy Frame, the scaffolder is secured against falling on each level without requiring rope protection.

Less weight

Faster working due to the low weight of the individual components

High degree of safety

Fall protection without any additional components through the system-dependent assembly process

Fast assembly

Mounting takes place with virtually no couplers and a minimum use of tools

Special range of applications

Can be combined with PERI UP Flex system components

PERI UP Easy is the lightweight frame scaffold for fast realization of facade scaffolding.



With PERI UP Easy decking, the protection against lifting is integrated: the securing clamp reaches around the ledger and secures the deck each time.



With PERI UP Easy, internal and external corners are executed quickly and with very few system components.

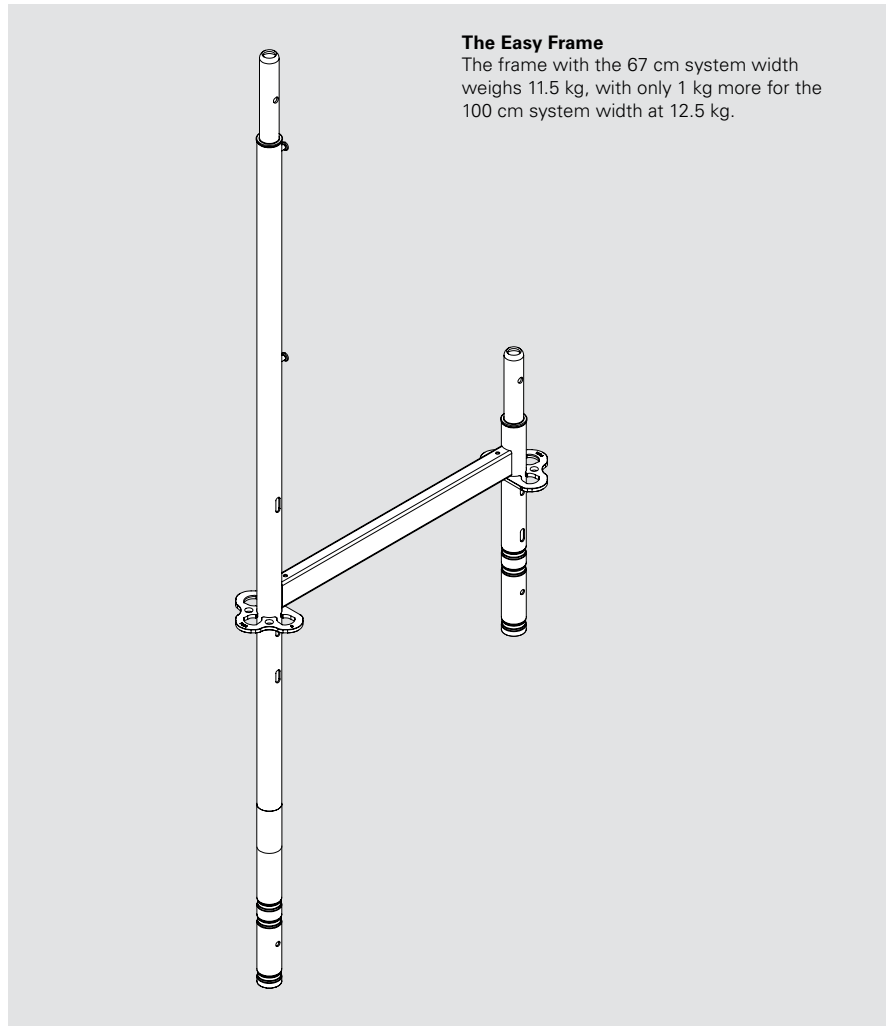


Less weight

Faster working due to the low weight of the individual components

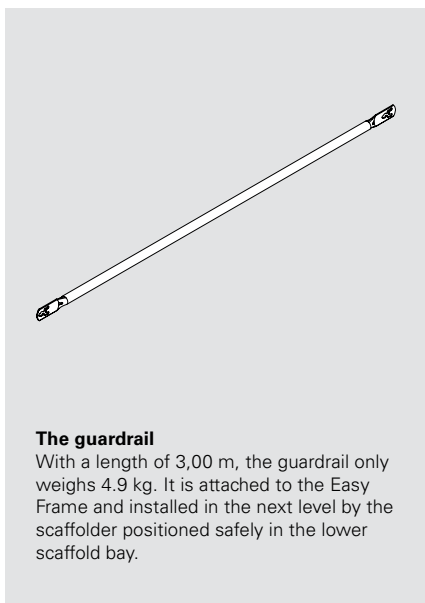
PERI UP Easy is a new type of scaffold system and is a "lightweight" under the steel facade scaffolding systems. This reduces assembly and dismantling times as well as increasing the daily performance output.

The low weight of the system components has been achieved through several measures including the use of high-tensile steel. In addition, various design details contributed to the weight optimization process, e.g. the design of the ledger with its rectangular hollow profile.



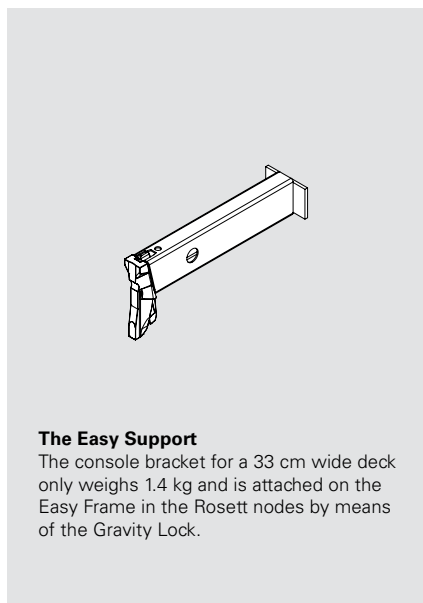
The Easy Frame

The frame with the 67 cm system width weighs 11.5 kg, with only 1 kg more for the 100 cm system width at 12.5 kg.



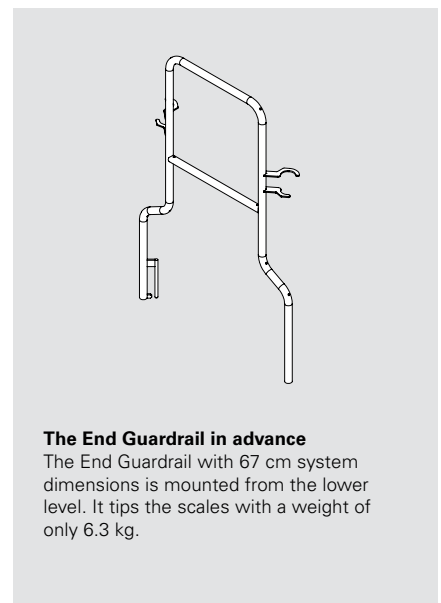
The guardrail

With a length of 3,00 m, the guardrail only weighs 4.9 kg. It is attached to the Easy Frame and installed in the next level by the scaffolder positioned safely in the lower scaffold bay.



The Easy Support

The console bracket for a 33 cm wide deck only weighs 1.4 kg and is attached on the Easy Frame in the Rosett nodes by means of the Gravity Lock.



The End Guardrail in advance

The End Guardrail with 67 cm system dimensions is mounted from the lower level. It tips the scales with a weight of only 6.3 kg.

High degree of safety

Fall protection without any additional components with protection provided by the guardrail mounted in advance



The guardrail for the next scaffolding level is mounted from the lower level with the Easy Frame. As a result, the scaffolder is in a safe position when entering the next level. Other details, such as the integrated lock against lifting, contribute to the safe use.

During the assembly of the basic configuration, the guardrail for the next scaffolding level is attached and secured on the Easy Frame. The End Guardrail can also be mounted from below. The scaffolder is therefore already in a safe position to continue working when entering the next level. For safe assembly of the basic configuration, no additional individual components are required nor must personal protective equipment to prevent falling be worn.

The End Guardrail installed in advance is mounted from the lower scaffold level in the next higher level as permanent end protection.



Both the combi decking with a 66 cm width as well as the 33 cm wide steel decks are designed with the integrated lock against lifting. Without exception, all decking covers the entire system width; there are no gaps between the decks.



As an option, both guardrails can be attached to the Easy Frame and mounted from the lower level.

Fast assembly

Mounting takes place with virtually no couplers and a minimum use of tools

PERI UP Easy is particularly quick to assemble as almost no couplers are required for the standard configuration. For installing the anchors, PERI developed the Easy WallTie. In addition, numerous well-considered design details, such as the execution of the external and internal corners, guarantee reduced assembly times.

The Gravity Lock for connecting ledgers and console brackets to the integrated scaffold nodes facilitates fast assembly: in the process, the securing wedge of the ledger or console bracket drops into the rosette opening due to its own weight and locks self-actuating. Thus, for example, console brackets as well as external PERI UP Flex modular scaffolding staircases can be quickly connected to the PERI UP Easy Frame without requiring any accessories.

Braces and guardrails can also be quickly mounted without tools. For connecting the wall ties, the new Easy WallTie Coupler is used which is easily mounted by means of a simple turning movement.



Fast realization of the corners

For the standard configuration of the internal corner, two frame columns in the corner are simply connected with a ledger.



Rapid installation of the Face Braces

After inserting the swivel head in the longitudinal hole, the brace is pushed down and secured in position with the locking ring.



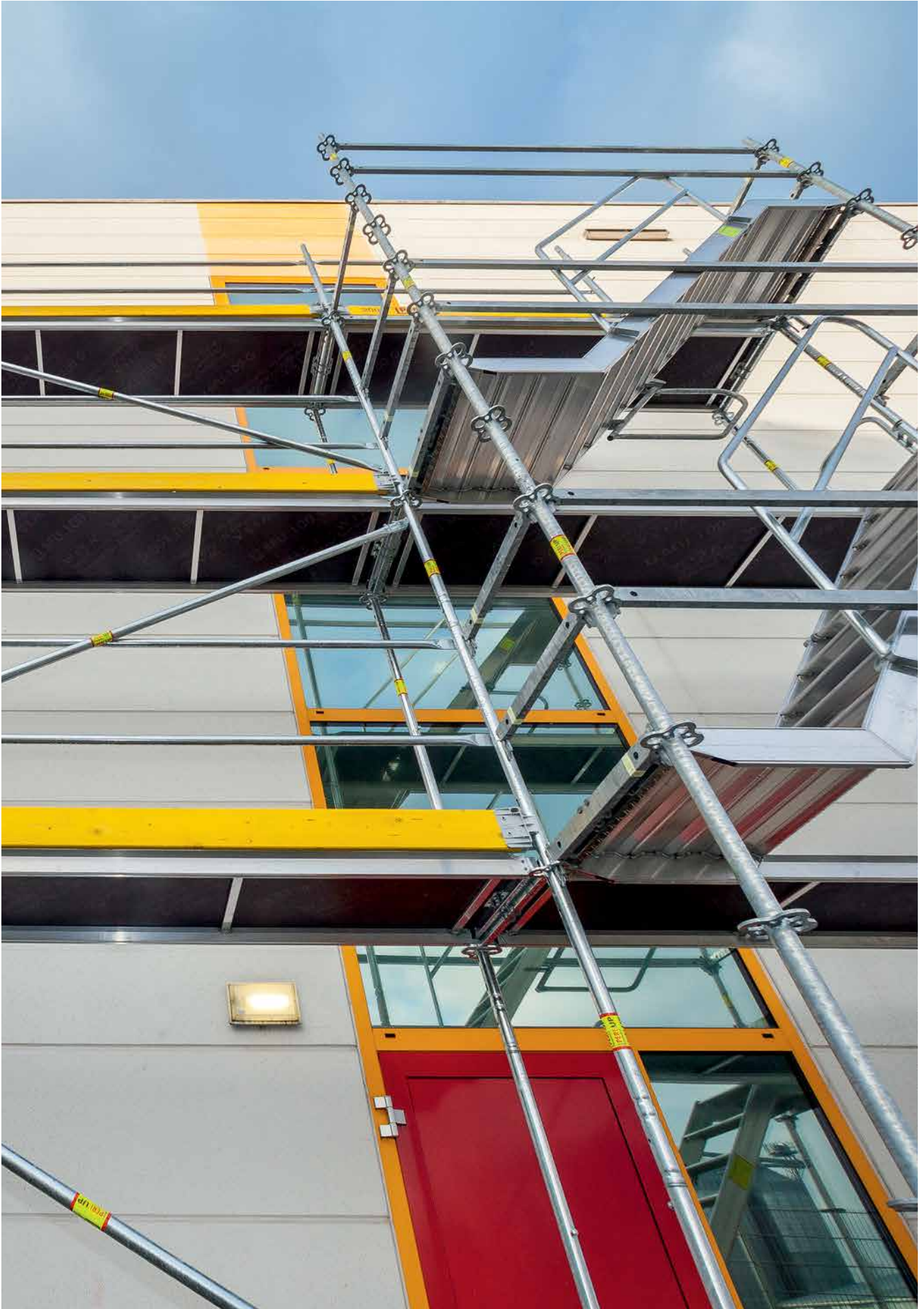
Fast assembly of the guardrails

The longitudinal slot of the guardrail is placed over the guardrail hooks and secured by a simple turning movement.



The Easy Support

For realizing the console brackets, 25 cm as well as 33 cm wide Easy Supports are available. These are quickly attached to the Easy Frame by means of the Gravity Lock.



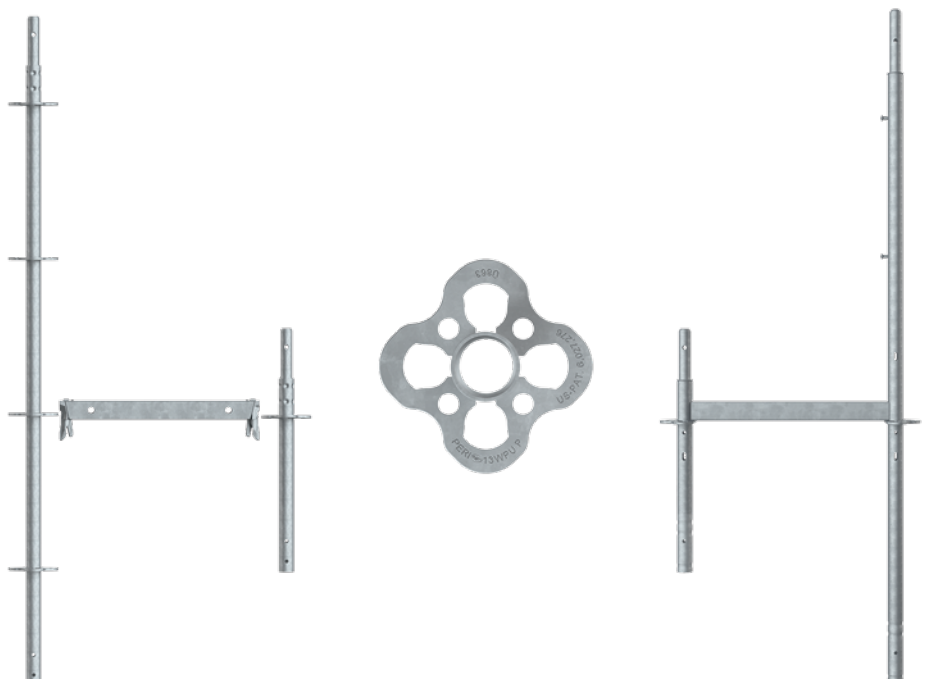
Special range of applications

Combination possibilities with PERI UP Flex

The focus for the development of a new facade scaffold was on combining the assembly speed along with the mounting of the guardrails in advance from the frame scaffolding with the flexibility of a modular system.

Through the integrated scaffold nodes on the Easy Frame, PERI UP Easy can be combined with PERI UP Flex modular system. The consistent orientation of the entire PERI UP scaffolding technology in having a metric grid along with the same decking system for all PERI UP scaffolding applications provide almost unlimited solution possibilities.

Another positive aspect for users: all system components of the PERI UP Flex modular system are also available in the PERI rental parks, thus allowing peak requirements for larger projects to be cost-effectively covered. Even very special project requirements can be easily fulfilled through the renting of materials.

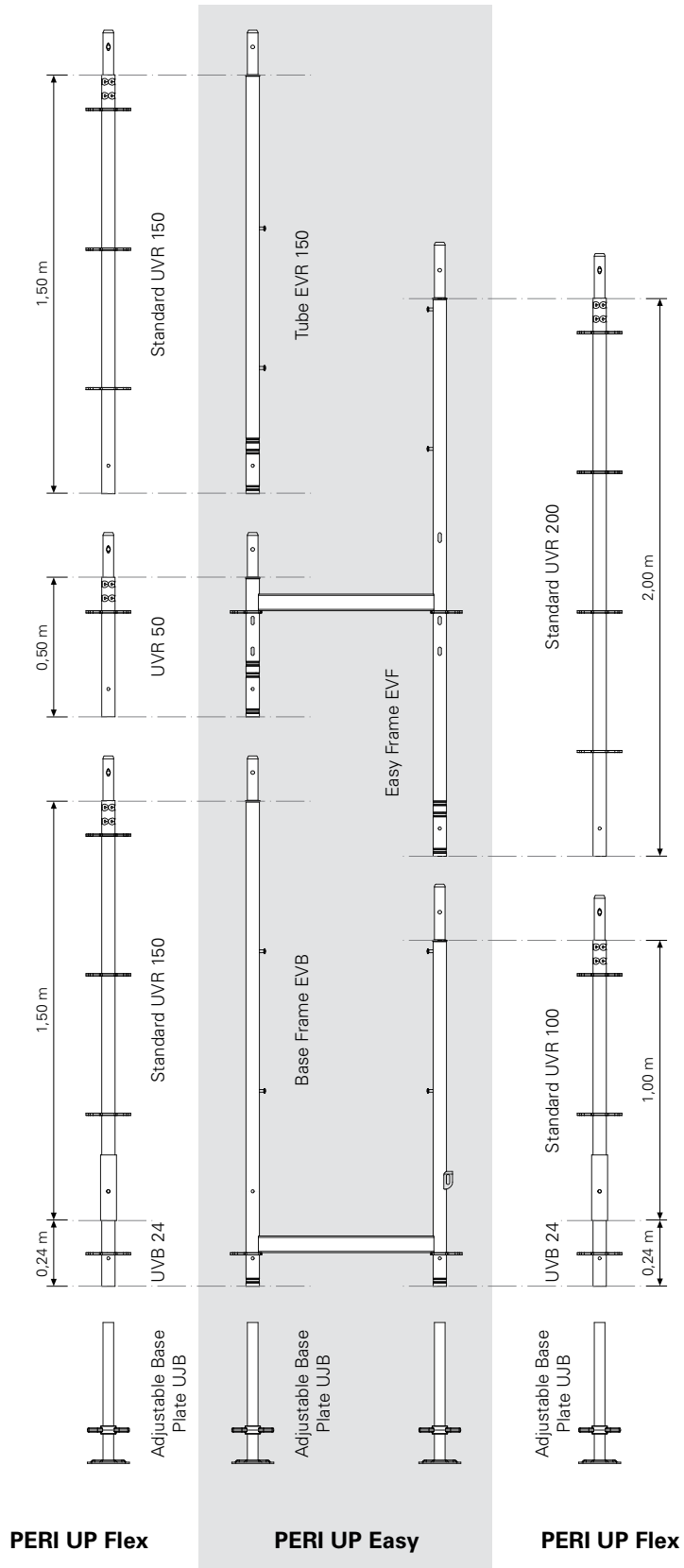


The Rosette nodes are integrated on the standards of the PERI UP Flex modular scaffolding as well as the Easy Frame.

By featuring identical height dimensions, system components of the PERI UP Easy frame scaffolding and PERI UP Flex modular scaffolding can be combined on the horizontal level.

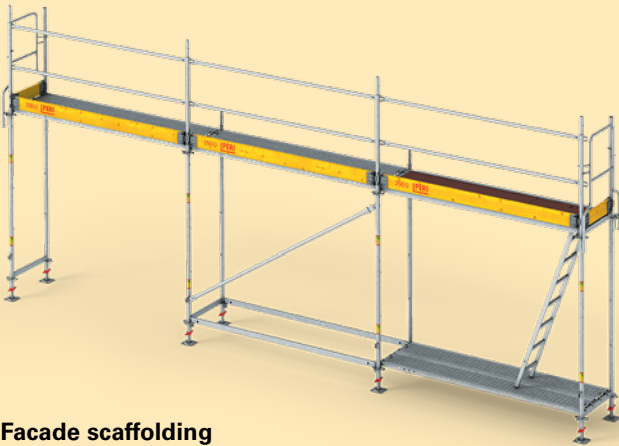
The possibility of combining the frame and modular scaffolding results in the creation of a wide range of application options:

- height compensation
- accommodating obstacles such as bay windows
- attaching console brackets in 50 cm height increments
- attaching material platforms
- installation of PERI UP Flex Stairs with 75 cm widths



The integral concept of the PERI UP scaffolding technology

PERI UP Easy Frame Scaffolding and
PERI UP Flex Modular Scaffolding



Facade scaffolding



Working scaffold

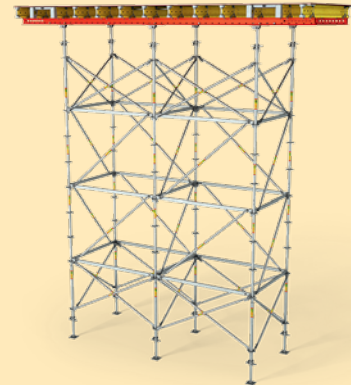
Industrial scaffolding
Suspended scaffolding
Reinforcement scaffolding



Stair towers

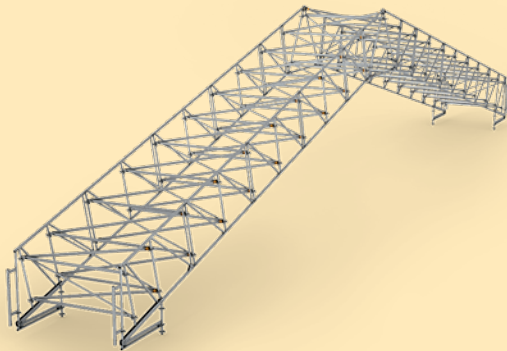
Access
Stairways
Bridging

**PERI UP
applications**



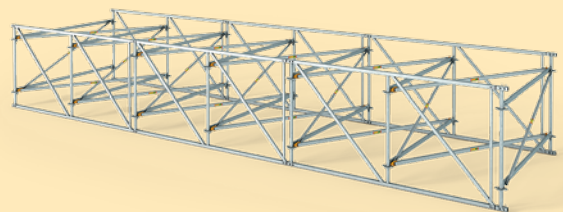
Shoring systems

Props
Shoring towers
Heavy-duty shoring towers



Protection scaffolding

Safety scaffolding
Weather protection roofs



Working platforms

The integrated scaffold nodes

Fast and safe due to the Gravity Lock

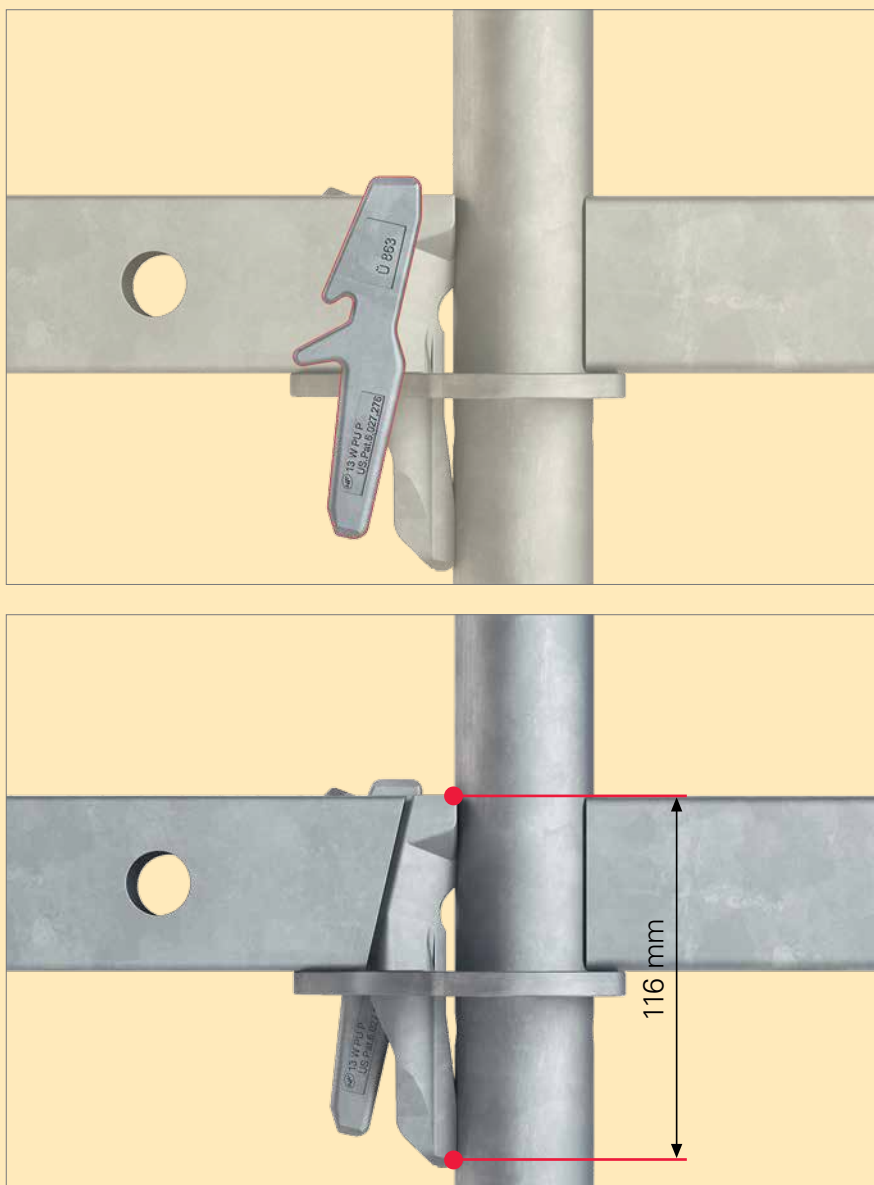
Both the PERI UP Easy frame scaffolding and PERI UP Flex modular scaffolding are characterized by the rosette-like design of the scaffold node.

The PERI UP ledgers, console brackets and supports have a connection in the form of a wedge which is hooked into the rosette opening. Thereby, the Gravity Lock drops into the rosette opening due to its own weight and locks self-actuating. It is then secured in position with one blow of a hammer.

The ledger connection can be easily and accurately hooked in also at a distance. This well-designed mechanism of the node connection also prevents accidental loosening due to any impacts on the underside of the ledger.

The special shape of the nodes and ledger connection leads to a particularly high node rigidity which ensures the high load-bearing capacity of all scaffolding solutions with PERI UP.

The wide contact point spacing of the ledger head on the standard leads to a high level of flexural strength in the connection area and thus to high bending and load-bearing capacities.



PERI UP Easy at a glance





The PERI UP Easy scaffolding system

- Can be used as working scaffold
- Can be used as safety and roof edge safety scaffold Class D, and as roof edge safety scaffold with protection panels Class SWD 1 in accordance with DIN 4420-1: 2004-03
- Standard configuration with a system width $W = 67$ cm (Width Class W 06) with
 - Combi Deck $W = 66$ cm, loadable up to 2.00 kN/m² (LC 3)
 - Steel Decks $W = 33$ cm, loadable up to 3.00 kN/m² (LC 4) with $L = 3.00$ m
- Standard configuration with a system width $W = 100$ cm (Width Class W 09) with
 - Steel Decks $W = 33$ cm, loadable up to 3.00 kN/m² (LC 4) with $L = 3.00$ m
 - Steel Decks $W = 25$ cm, loadable up to 3.00 kN/m² (LC 4) with $L = 3.00$ m

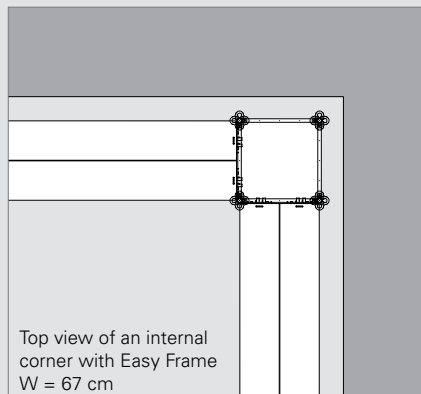
Execution of internal and external corners, connection of supports and console brackets

Simple execution of internal and external corners

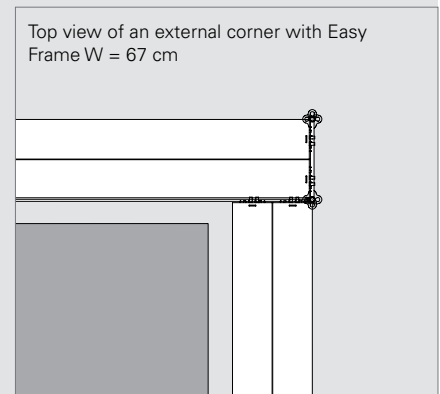
With PERI UP Easy, no additional frame columns are required for the realization of corners.

At the internal corner, two frame columns are very easily connected to a ledger in the corner itself. The internal corner bay is then covered with 2 steel decks.

One single frame is sufficient for the realization of the external corners, additional components are not required. The decking of the adjacent scaffolding bay can be easily mounted on the ledgers of the neighbouring scaffolding bay.



Standard configuration of the internal corner: two frame columns are connected in the corner by means of a ledger.



Standard configuration of the external corner: the ledger of the adjacent scaffolding bay conveniently serves as support for the decking – only one frame is therefore required.

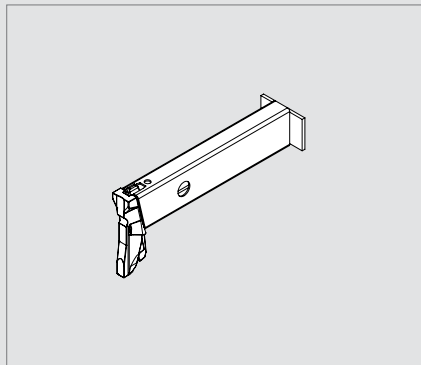
Faster connection of supports and console brackets

Supports and console brackets can be connected directly to the integrated scaffold nodes of the Easy Frame extremely quickly and without tools.

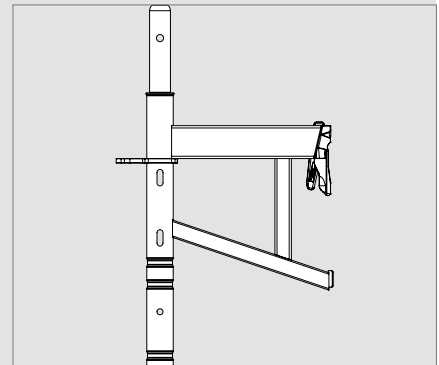
The product portfolio includes a range of supports and console brackets in order to widen the working areas as required or for gradual shortening of the width. Simple supports for additional decking with 25 cm and 33 cm widths are likewise available as well as brackets with 33 cm, 67 cm and 100 cm widths.

The console brackets can also be used for protection roofs or protection panels.

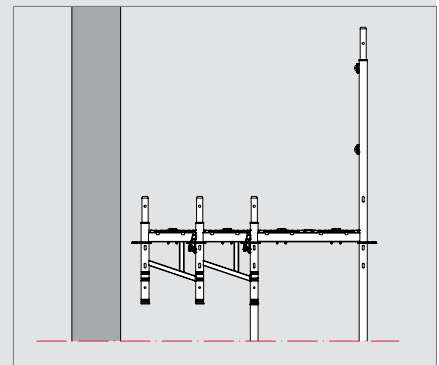
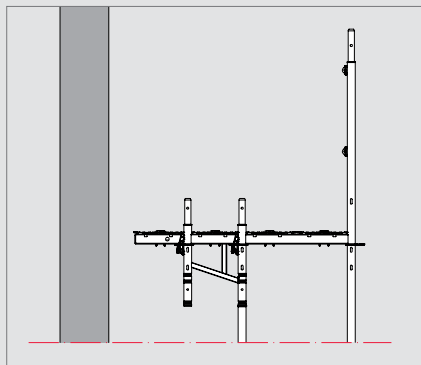
Console brackets can be extended with the Easy Support or positioned side-by-side; an advantage, e.g. for assembly of the Insulation Composite System.



The Easy Support for a 33 cm wide deck is hooked into the integrated scaffold nodes on the Easy Frame by means of the Gravity Lock.



The brackets are available in widths of 33 cm, 67 cm and 100 cm.



The console brackets can also be used for protection roofs or protection panels. They are connected without couplers to the frame, and do not require any additional bracket support.

Installation of external PERI UP Flex stairs, anchor connections, assembly of internal braces

Installation of external PERI UP Flex stairs



PERI UP staircases can also be directly mounted by means of the integrated scaffold node on the Easy Frame.

Ledgers of the PERI UP Flex modular scaffolding can be directly connected to the rosette nodes of the Easy Frame. In addition, PERI UP Flex stairs with 75 cm widths can be connected without any additional frame columns or couplers.

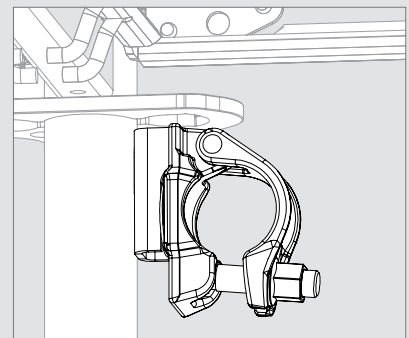
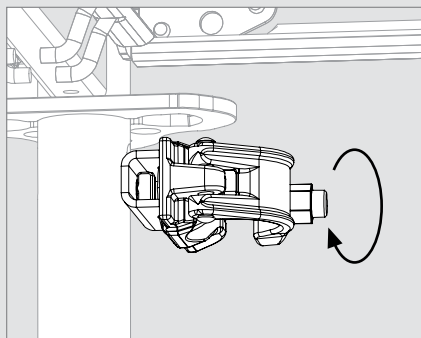
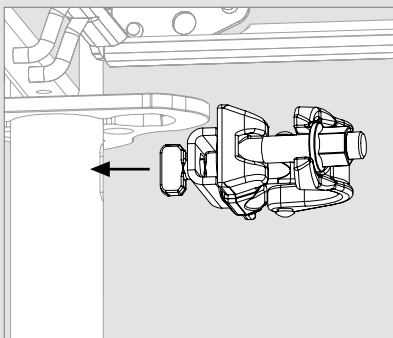
The transition from the stairs to the scaffold bay is covered without leaving any gaps which means gap covering is not required.



The PERI UP Easy anchor connection

The Easy anchor connection is simply inserted in the slotted hole on the Easy Frame or in the console bracket, and then secured by a 90° turn.

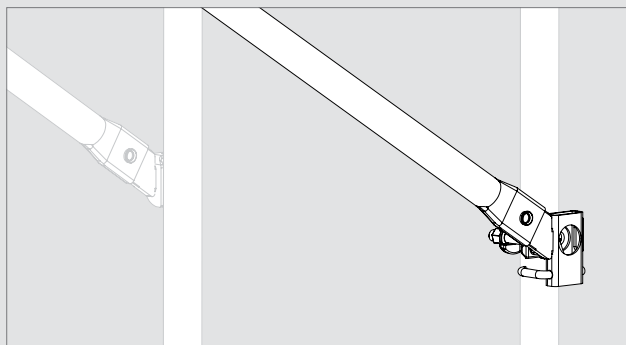
The Easy anchor connection can be quickly installed in different slotted hole positions, and without tools. This results in a range of possible installation angles for the anchoring.



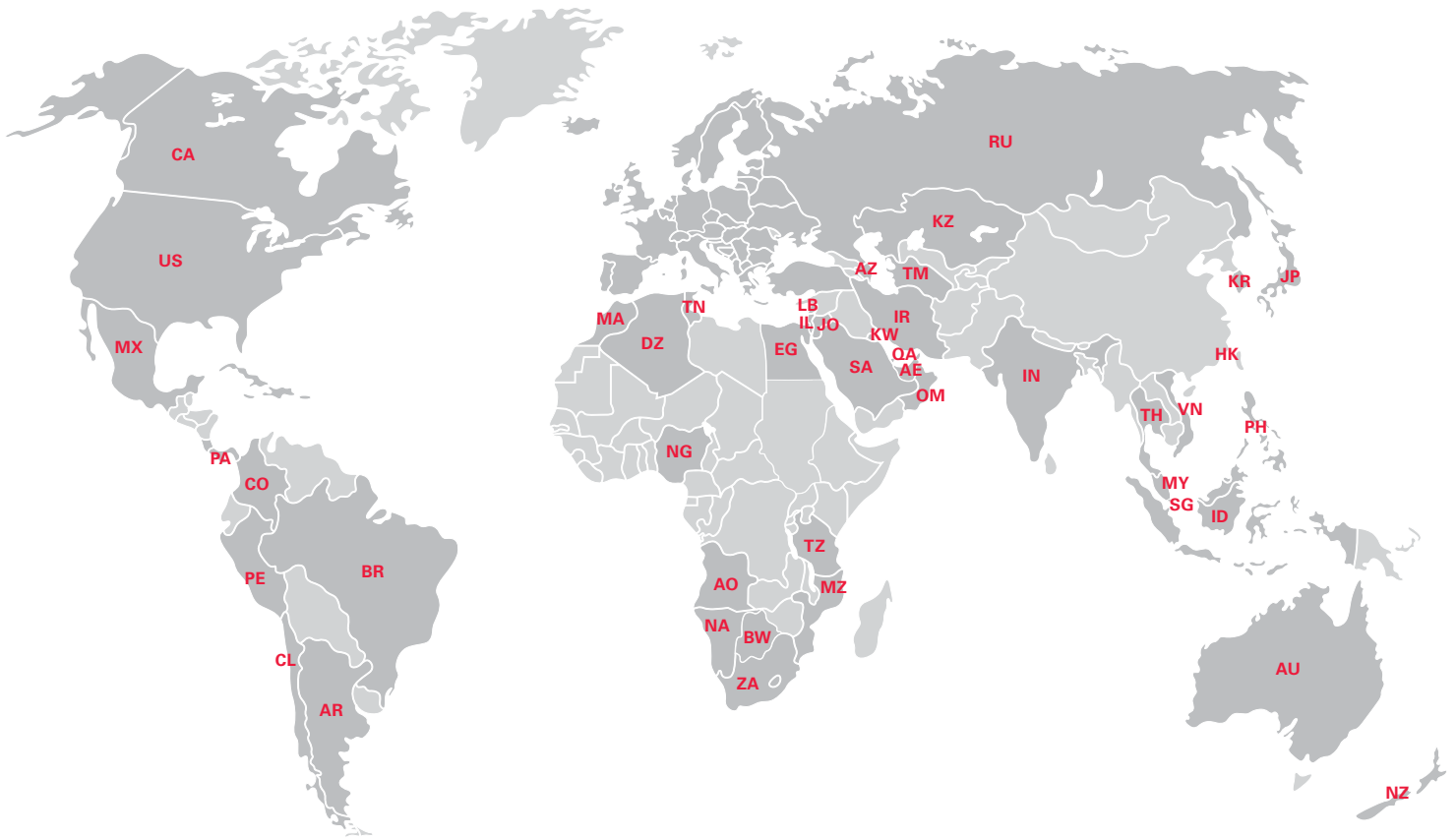
Assembly of internal braces

For assembling the internal braces, the portfolio includes a Brace Adapter.

The Brace Adapter is bolted to the inner vertical; subsequently, the face braces can be mounted.



PERI International



North America

- CA** Canada
PERI Formwork Systems, Inc.
www.peri.ca
- MX** Mexico
PERI Cimbras y Andamios, S.A. de C.V.
www.peri.com.mx
- PA** Panama
PERI Panama Inc.
www.peri.com.pa
- US** USA
PERI Formwork Systems, Inc.
www.peri-usa.com

South America

- AR** Argentina
PERI S.A.
www.peri.com.ar
- BR** Brazil
PERI Formas e Escoramentos Ltda.
www.peribrasil.com.br
- CL** Chile
PERI Chile Ltda.
www.peri.cl
- CO** Colombia
PERI S.A.S.
www.peri.com.co
- PE** Peru
PERI Peruana S.A.C.
www.peri.com.pe

Africa

- AO** Angola
Pericofragens, Lda.
www.peri.pt
- DZ** Algeria
S.A.R.L. PERI
www.peri.dz
- BW** Botswana
PERI (Proprietary) Limited
www.peri.co.bw
- EG** Egypt
Egypt Branch Office
www.peri.com.eg
- MA** Morocco
PERI S.A.
www.peri.ma
- MZ** Mozambique
PERI (Pty.) Ltd.
www.peri.co.mz
- NA** Namibia
PERI (Pty.) Ltd.
www.peri.na
- NG** Nigeria
PERI Nigeria Ltd.
www.peri.ng
- TN** Tunisia
PERI S.A.U.
www.peri.es
- TZ** Tanzania
PERI Formwork and Scaffolding Ltd
www.peritanzania.com
- ZA** South Africa
PERI Formwork Scaffolding (Pty) Ltd
www.peri.co.za

Asia

- AE** United Arab Emirates
PERI (L.L.C.)
www.perime.com
- AZ** Azerbaijan
PERI Representative Office
www.peri.com.tr
- HK** Hong Kong
PERI (Hong Kong) Limited
www.perihk.com
- ID** Indonesia
PT Beton Perkasa Wijaksana
www.betonperkasa.com
- IL** Israel
PERI F.E. Ltd.
www.peri.co.il
- IN** India
PERI (India) Pvt Ltd
www.peri.in
- IR** Iran
PERI Pars. Ltd.
www.peri.ir
- JO** Jordan
PERI GmbH – Jordan
www.peri.com
- JP** Japan
PERI Japan K.K.
www.perijapan.jp
- KR** Korea
PERI (Korea) Ltd.
www.perikorea.com
- KW** Kuwait
PERI Kuwait W.L.L.
www.peri.com.kw
- KZ** Kazakhstan
TOO PERI Kazakhstan
www.peri.kz
- LB** Lebanon
PERI Lebanon Sarl
lebanon@peri.de
- MY** Malaysia
PERI Formwork Malaysia Sdn. Bhd.
www.perimalaysia.com
- OM** Oman
PERI (L.L.C.)
www.perime.com
- PH** Philippines
PERI-Asia Philippines, INC.
www.peri.com.ph
- QA** Qatar
PERI Qatar LLC
www.peri.qa
- SA** Saudi Arabia
PERI Saudi Arabia Ltd.
www.peri.com.sa
- SG** Singapore
PERI Asia Pte Ltd
www.periasia.com
- TM** Turkmenistan
PERI Kalıp ve İşkeleleri
www.peri.com.tr
- TH** Thailand
Peri (Thailand) Co., Ltd.
www.peri.co.th
- VN** Vietnam
PERI ASIA PTE LTD
www.peri.com.vn



PERI GmbH
Formwork Scaffolding Engineering
Rudolf-Diesel-Strasse 19
89264 Weissenhorn
Germany
Tel. +49 (0)7309.950-0
Fax +49 (0)7309.951-0
info@peri.com
www.peri.com



Oceania

AU Australia
PERI Australia Pty. Ltd.
www.periaus.com.au

NZ New Zealand
PERI Australia Pty. Limited
www.peri.co.nz

Europe

AL Albania
PERI Kalıp ve İskeleleri
www.peri.com.tr

AT Austria
PERI Ges.mbH
www.peri.at

BA Bosnia and Herzegovina
PERI oplate i skele d.o.o
www.peri.com.hr

BE Belgium
N.V. PERI S.A.
www.peri.be

BG Bulgaria
PERI Bulgaria EOOD
www.peri.bg

BY Belorussia
IOOO PERI
www.peri.by

CH Switzerland
PERI AG
www.peri.ch

CZ Czech Republic
PERI spol. s r.o.
www.peri.cz

DE Germany
PERI GmbH
www.peri.de

DK Denmark
PERI Danmark A/S
www.peri.dk

EE Estonia
PERI AS
www.peri.ee

ES Spain
PERI S.A.U.
www.peri.es

FI Finland
PERI Suomi Ltd. Oy
www.perisuomi.fi

FR France
PERI S.A.S.
www.peri.fr

GB United Kingdom
PERI Ltd.
www.peri.ltd.uk

GR Greece
PERI Hellas Ltd.
www.perihellas.gr

HR Croatia
PERI oplate i skele d.o.o.
www.peri.com.hr

HU Hungary
PERI Kft.
www.peri.hu

IR Ireland
Siteserv Access & Formwork
www.siteservaccess.ie

IS Iceland
Armar ehf.
www.armor.is

IT Italy
PERI S.r.l.
www.peri.it

LT Lithuania
PERI UAB
www.peri.lt

LU Luxembourg
N.V. PERI S.A.
www.peri.lu

LV Latvia
PERI SIA
www.peri-latvija.lv

NL Netherlands
PERI B.V.
www.peri.nl

NO Norway
PERI Norge AS
www.peri.no

PL Poland
PERI Polska Sp. z o.o.
www.peri.com.pl

PT Portugal
Pericofragens Lda.
www.peri.pt

RO Romania
PERI România SRL
www.peri.ro

RS Serbia
PERI oplate d.o.o.
www.peri.rs

RU Russia
OOO PERI
www.peri.ru

SE Sweden
PERI Sverige AB
www.peri.se

SI Slovenia
PERI oplate i skele d.o.o
www.peri.com.hr

SK Slovakia
PERI spol. s. r.o.
www.peri.sk

TR Turkey
PERI Kalıp ve İskeleleri
www.peri.com.tr

UA Ukraine
TOW PERI
www.peri.ua

**The optimal System
for every Project and
every Requirement**



Wall Formwork



Column Formwork



Slab Formwork



Climbing Systems



Bridge Formwork



Tunnel Formwork



Shoring Systems



Construction Scaffold



Facade Scaffold



Industrial Scaffold



Access



Protection Scaffold



Safety Systems



System-Independent Accessories



Services



PERI GmbH
Formwork Scaffolding Engineering
 Rudolf-Diesel-Strasse 19
 89264 Weissenhorn
 Germany
 Tel. +49 (0) 7309.950-0
 Fax +49 (0) 7309.951-0
 info@peri.com
 www.peri.com