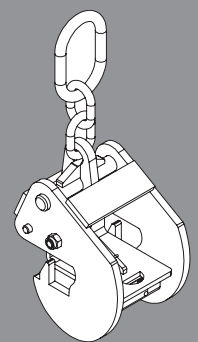


Crane Hook HANDSET Alpha

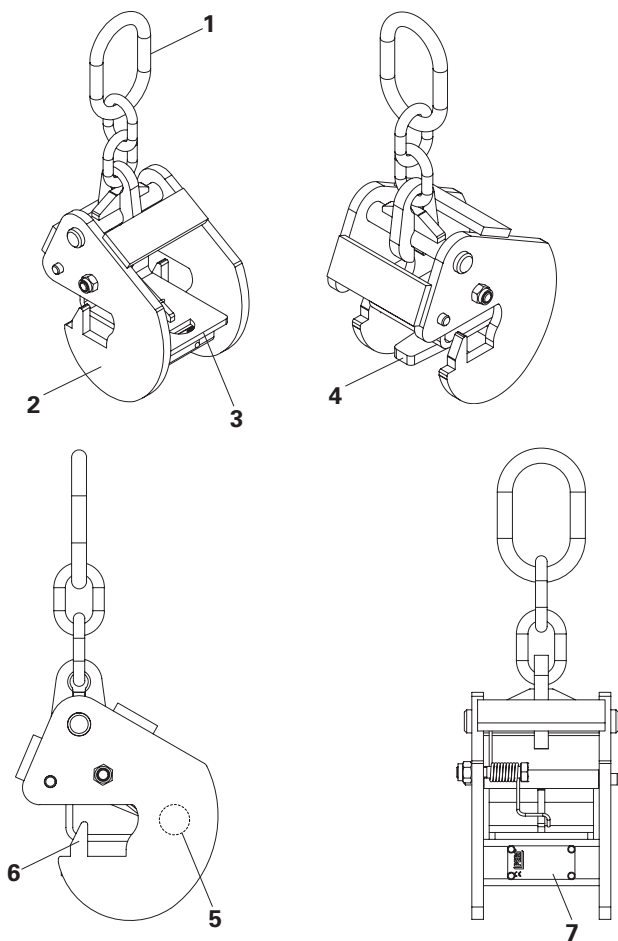
Item no. 135868

Original Instructions for Use – Issue 07 | 2020

CE



Overview



- (1) Lifting eye
- (2) Housing
- (3) Spring-loaded lock plate
- (4) Guide plate

- (5) Inspection sticker
- (6) Locking hook
- (7) Data plate

Introduction

Overview	1
Key	2
Safety instructions	3
Intended use	6
Instructions for Use	7
Target groups	8
Storage and transportation	10
Additional technical documentation	11
Care and maintenance instructions	11
Identification markings	11
Checks and inspections	12

Application

Load-bearing capacity	14
Assembling the Crane Hook HSA to Panel HSA	15
Assembling the Crane Hook HSA to Internal Corner HSA	16
Transport of load	17
Dismantling	18
Disposal	18

Appendix

Components	19
EC Declaration of Conformity	20

Key

Pictogram | Definition



Danger/Warning/Caution



Information



To be complied with



Load-bearing point



Visual check



Tip



Misapplication



Safety helmet



Safety shoes



Safety gloves



Safety glasses



Personal protective equipment to prevent falling from a height (PPE)

Dimension specifications

Dimensions are usually given in cm.

Other units of measure, e.g. m, are shown in the illustrations.

Load details are usually given in kg.

Other measurement units, e.g. t, are shown in the illustrations.

Conventions

- Instructions are numbered with: 1..... , 2..... , 3.....
- The result of an instruction is shown by: →
- Position numbers are clearly provided for the individual components and are given in the drawing, e.g. **1**, in the text in brackets, for example, (1).
- Multiple position numbers, i.e. alternative components, are represented with a slash, e.g. **1 / 2**.

Arrows

- Arrow representing an action
- ⇨ Arrow representing a reaction of an action*
- Forces

* If not identical to the action arrow.

Safety instructions

Safety instruction categories

The safety instructions alert site personnel to the risks involved and provide information on how to avoid these risks. Safety instructions are featured at the beginning of the section or ahead of the instructions, and are highlighted as follows:



Danger

This sign indicates an extremely hazardous situation which, if not avoided, will result in death or serious injury.



Warning

This sign indicates a hazardous situation which, if not avoided, could result in death or serious injury.



Caution

This sign indicates a hazardous situation which, if not avoided, could result in minor or moderate injury.



Information

This sign indicates situations in which failure to observe the information can result in material damage.

Set-up of the safety instructions



Signal word

Type and source of the danger!
Consequences of non-compliance.
⇒ Avoidance measures.

Safety instructions

General

When using PERI lifting accessories, the Instructions for Use and markings are to be complied with at all times!

Deviations from the standard configuration are only permitted after a further risk assessment has been carried out by the contractor.

On the basis of this risk assessment, appropriate measures for working and operational safety as well as stability are determined.

For the application and inspection of our products, the current safety regulations and guidelines in the respective countries where they are being used must be observed at all times.

The contractor must ensure that the Instructions for Use provided by PERI are available at all times for the users and that they are fully understood!

The contractor can only assign those persons to independently use lifting accessories who are actually familiar with the task!

PERI lifting accessories are to be used in such a way that persons are never put at risk in any way!

The maximum bearing capacity of PERI lifting accessories must not be exceeded!

All persons using the lifting accessories must check the equipment during use for obvious defects (e.g. deformations, cracks, breaks, incomplete markings)!

PERI load-carrying equipment may not be used with missing or illegible data plate and/or inspection sticker!

The contractor must ensure that the personal protective equipment required for the assembly, modification or dismantling of the system is available and used as intended.

For a better understanding, detailed illustrations are partly incomplete. The safety installations which have possibly not been featured in these detailed drawings must nevertheless be available!

Safety instructions

Product-specific

The person who attaches the load to the lifting accessory must be sufficiently secured against falling. In all cases, the load must be secured against falling over and sliding!

Move loads only during safe wind conditions. Observe storm warnings! Depending on the type of load and the surface area subjected to wind attack, the decision whether sufficient safety measures are in place when moving the load is taken on the jobsite.

The lifting equipment which is attached to the lifting accessories must be equipped with a hook securing device.

The operator may begin to move the load only if he is completely satisfied that the load has been correctly attached.

Ensure loads are evenly balanced when being lifted! Loads must be sufficiently stable both in their form and position so that the load does not move during transportation!

Ensure that the load is in a safe and secure position before releasing the slings!

Always lift up or set down loads smoothly without any jerking!

During the lifting and moving procedure, ensure all loose parts are removed or secured!

During transport and storage, the load-carrying equipment must be positioned and secured so that it cannot fall off or slide. Do not place any loads on the load-carrying equipment!

Persons are not allowed to remain under the load being lifted!

Transporting persons on the load is prohibited!

Ensure that the slings, such as steel wire ropes and chains, are not knotted or twisted! Neither wrap the lifting chains of the lifting accessories around the load to be transported nor stretch over sharp edges! Twisted chains must be straightened!

The transport of horizontal stacks is not allowed!

Intended use

PERI products have been designed for exclusive use in the industrial and commercial sectors by suitably trained personnel only!

The product described here is classified as lifting accessory and serves exclusively for the lifting and moving of individual panels or panel units of the PERI HANDSET Alpha system.

During continuous operation, the Crane Hook HSA remains attached to the crane.

Installation and position of the lifting accessory is provided in the corresponding Instructions for Assembly and Use of the system.

The lifting accessory is not approved for transporting personnel.

These Instructions for Use contain information for ensuring proper handling and correct application, inspection and maintenance.

The product described here corresponds to the relevant provisions and regulations of EU Machinery Directive 2006/42/EC. These Instructions for Use provide the basis for the risk assessment. The risk assessment shall be compiled by the

contractor. The Instructions for Use do not replace the risk assessment!

Use of the lifting accessory:

- Within the permissible load-bearing capacity 500 kg.
- Within the permissible temperature limits of -20 °C to +60 °C.
- In good working order.
- When correctly assembled.

Instructions on Use

The use in a way not intended or deviating from the intended use according to the Instructions for Use represents a misapplication with a potential safety risk.

Changes to PERI components are not permitted.

Only PERI original components may be used. The use of other products and spare parts represents a misapplication with associated safety risks.

Do not use damaged lifting accessories.

Target groups

Contractors

These Instructions for Use are intended for contractors who

- assemble, modify and dismantle the formwork system, or
- use it, e.g. for concreting, or
- for other operations, e.g. carpentry or electrical work.

Construction site coordinator

The Safety and Health Protection Coordinator*

- is appointed by the client,
- must identify potential hazards during the planning phase,
- determines measures that provide protection against risks,
- creates a safety and health protection plan,
- coordinates the protective measures for the contractor and site personnel so that they do not endanger each other,
- monitors compliance with the protective measures.

Competent person qualified to carry out inspections

Due to the specialist knowledge gained from professional training, work experience and recent professional activity, the qualified person has a reliable understanding of safety-related issues and can correctly carry out tests. Depending on the complexity of the test to be undertaken, e.g. scope of testing, type of testing or the use of a certain measuring device, a range of specialist knowledge is necessary.



In other countries, ensure that the relevant national guidelines and regulations in the respective current version are complied with!

* Valid in Germany: Regulations for Occupational Health and Safety on Construction Sites 30 (RAB 30).

Qualified personnel

Formwork systems may only be assembled, modified or dismantled by personnel who are suitably qualified to do so. For the work to be carried out, the technically qualified workers must have received instructions** which contain at least the following points:

- An explanation of the plan for the assembly, modification or dismantling of the formwork system in an understandable form and language.
- Description of measures in order to safely assemble, modify or dismantle the formwork system.
- Designation of the preventive measures to avoid the risk of persons and objects falling.
- Designation of the safety precautions in the event of changing weather conditions which could adversely affect the safety of the formwork system concerned as well as the personnel.
- Details regarding the permissible loads.

Description of any other risks that are associated with the assembly, modification or dismantling procedures.

** Instructions are given by the contractor himself or a qualified person selected by him.

Storage and transportation

Store and transport the lifting accessories so they cannot unintentionally change their position or be damaged in any way.

Do not drop the lifting accessories.

During the moving procedure with the crane, ensure that components are picked up and set down so that any unintentional falling over, falling apart, sliding, falling to the ground or rolling is avoided.

Do not place any loads on the lifting accessories.

Use original PERI storage and transport systems, e.g. crate pallets.

Store in a dry, clean and corrosion-protected condition at temperatures from -20°C to $+60^{\circ}\text{C}$.

PERI lifting accessories must be protected against the effects of the weather and aggressive materials if safety is then likely to be affected!

During transport, intermediate storage or when remaining suspended on the load, ensure that they remain free of dirt and that their functionality is not affected.

Additional technical documentation

- Instructions for Assembly and Use:
 - HANDSET Alpha

Care and maintenance instructions

The lifting accessories have been designed for long-term use on construction sites.

Repairs are to be carried out by authorized PERI personnel only. Only PERI original components may be used.

In order to ensure a cost-effective, technically sound and safe use over a long period, it is important to take a value-preserving approach.

Identification markings



Danger

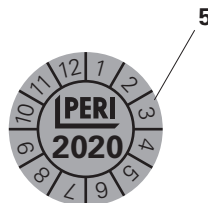
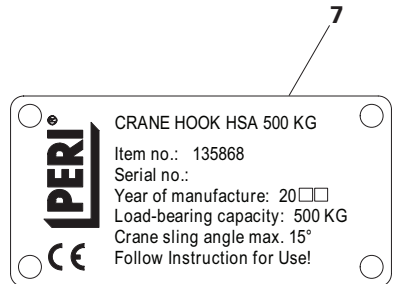
- ⇒ Do not use the Crane Hook HSA if the data plate is missing or is illegible!
- ⇒ Do not use the Crane Hook HSA if the inspection sticker is missing, has expired, or is illegible!
- ⇒ If markings are missing, illegible or have expired, immediately arrange an inspection by a qualified person and subsequently attach a new data plate or inspection inspection sticker. The results of the inspection must be documented!

Data plate (7)

Markings comply with the requirements of the Machine Directive 2006/42/EC.

Inspection sticker (5)

It documents the next inspection date.



Checks and inspections

1. General

The procedure described in this section is based on the current German regulations for testing and inspections.

The points listed form the minimum requirements for the inspection.

The respective regulations of the individual states and countries where this product is used must be taken into account. If no country-specific regulations are available, it is recommended to proceed according to German rules and regulations.

The contractor is responsible for determining the type, scope and intervals for the required inspections relating to the provision of the lifting accessory.

As a result of these inspections, any safety-related defects are to be systematically identified and remedied.

2. Purpose

Due to the check carried out before the initial operations as well as regularly recurring inspections of the lifting accessories, it can be ensured that operational and functional reliability is guaranteed.

3. Responsibility

The contractor must ensure that the lifting accessory is put into operation only if it has been inspected by a qualified person.

4. Inspection

It has to be verified whether all defects have been rectified or non-functioning products have been replaced.

The inspection includes a visual and functional check:

4.1 Visual check

- Deformation, wear and lengthening of the components.
- Corrosion damage.
- Mechanical damage.
- Check bolts, lifting beam hooks and chain slings for signs of damage.
- Availability of all components.
- Cracks, bending, flattening, notches on components.
- Only original PERI components may be used.
- Indications of impermissible heating or contact with fire.
- Markings must be legible.

4.2 Functional check

- Free and easy movement of moving parts.
- Locking system works correctly.
- Safety pawls and safety hooks engage.
- Eyes and shackles for fastening purposes are usable.

Implementation of anything beyond the usual scope of inspection is subject to the discretion of the authorized person and can extend to additional checks.

4.3 Measures

If any defects are determined during the safety inspection, they must be eliminated according to the instructions provided by the authorized person. A new inspection is to be subsequently carried out.

4.4 Inspection before starting work operations

- Check whether the load-bearing capacity of the lifting accessory is sufficient for the weight of the load.
- Check the lifting accessory for any defects.
- Check the validity of the inspection sticker.

Load-bearing capacity



Warning

Risk of falling!

A fall can result in serious injuries or even death!

⇒ Moving of other product is not permitted!

Perm. load-bearing capacity: 500 kg

– Up to 12 HSA Panels 150 x 90 can be moved as one unit. Fig. 1

(Max. 3.6 m width x 4.5 m height)

– Fig. 2 (3.6 m width x 3.9 m height)

Load factor according to DIN 13155 = 3

Max. crane sling angle = max. 15°



- Always mount two Crane Hooks HSA (on the vertically placed W-profile struts of the panel) symmetrically to the load centre for each transportation unit.
- When the top most panel is horizontal, the Crane Hook HSA is to be connected as shown in Fig 2.

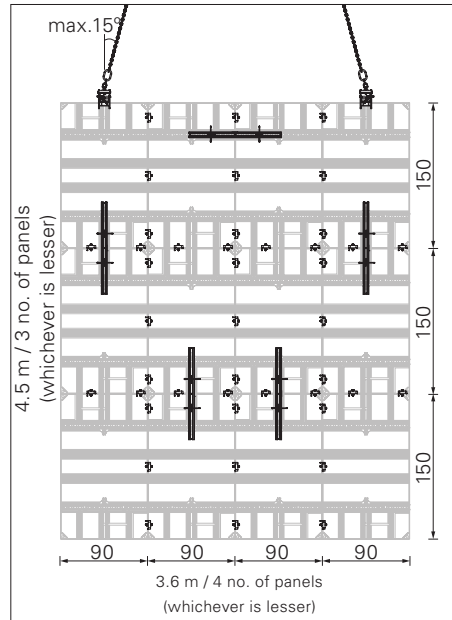


Fig. 1

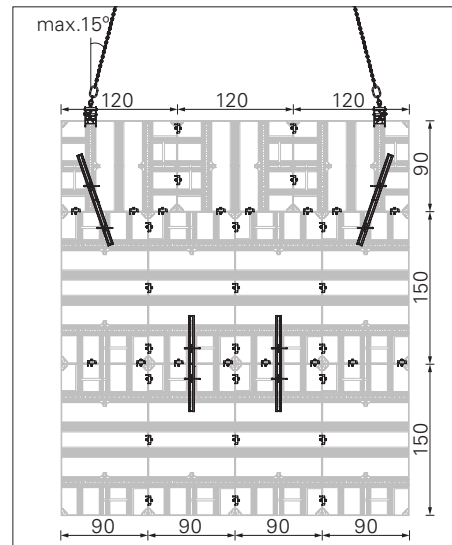


Fig. 2

Assembling the Crane Hook HSA to Panel HSA



Warning

Risk of falling!

A fall can result in serious injuries or even death!

- ⇒ Only PERI original components may be used!
- ⇒ Before initial operations, check whether the Crane Hook HSA is undamaged and functional!
- ⇒ Infills (timber or filler support 18 HFS) should not be crane handled together with the panels and are to be separately handled manually.



- Always mount the Crane Hook HSA on the vertical W-profile strut of the panel.
- The spacing of 110 mm between the two locking hooks (6) and the guide plate (4) helps to maintain that the Crane Hook HSA will not fix at any location other than W-profile strut of the panel.

1. Position the housing (2) into the triangular slots on either side of the W-profile strut (9) by lifting up the spring-loaded lock plate (3). (Fig. 3)
2. Once the locking hook (6) of the housing (2) is locked properly into the triangular slots, the spring-loaded lock plate (3) secures the Crane Hook HSA on the panel. (Fig. 4)

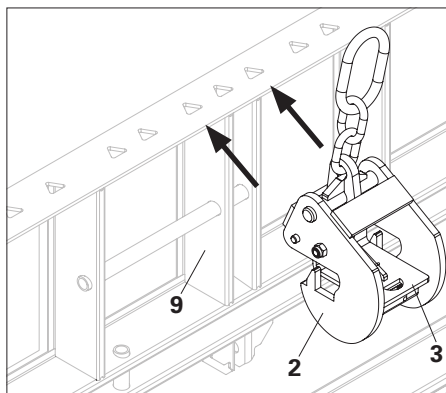


Fig. 3

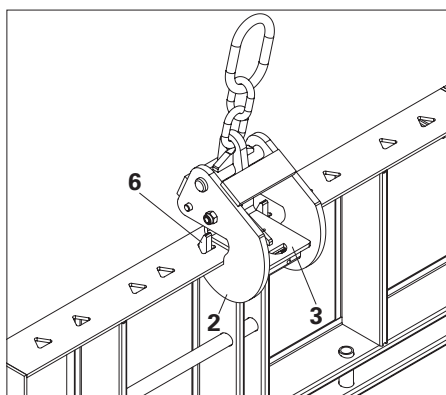


Fig. 4



Visually check that the locking hook (6) is properly engaged with the triangular slots in the panel frame and is secured in position with spring-loaded lock plate (3). (Fig. 4)

Assembling the Crane Hook HSA to Internal Corner HSA



Danger

Risk of falling!

A fall can result in serious injuries or even death!

- ⇒ During lifting, do not use more than three Internal Corners HSA attached to each other vertically (maximum height 4.5 m)
- ⇒ Internal Corners HSA should be handled by crane as a single unit separately and should not be combined with other panels.



- Make sure to use two nos. of M20 x 40 size bolt and nut (8.2) art. no. 706458 and art. no. 781053 when lifting the two Internal Corners HSA (8). (Fig. 6)

1. Position the housing (2) into the holes (8.1) provided on the Internal Corner HSA (8) by lifting up the spring-loaded lock plate (3). (Fig. 5)
2. Once the locking hook (6) of the housing (2) is locked properly into the holes (8.1), the spring-loaded lock plate (3) secures the Crane Hook HSA on the Internal Corner HSA (8). (Fig. 5)

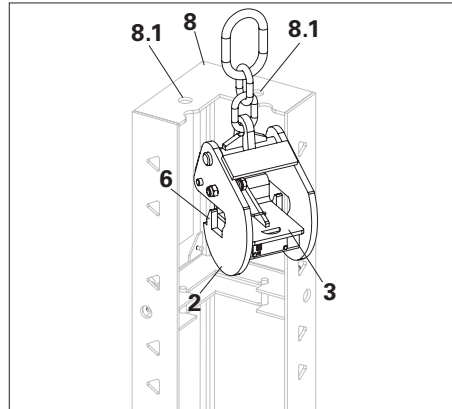


Fig. 5

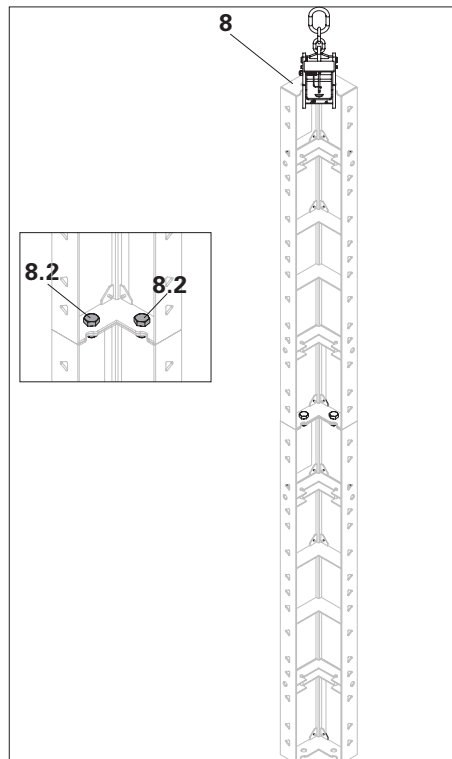


Fig. 6

Transport of load

Before lifting:



Important

- Carefully tension the lifting gear!
- Ensure lifting is carried out smoothly (no jerking)!
- Ensure that all panel connections are properly secured!
- Lifting operations may only be started when it has been ensured that the load has been correctly attached!

During transportation:



Danger

Risk of falling!

A fall can result in serious injuries or even death!

- ⇒ Do not stand under suspended loads!
- ⇒ Do not transport persons!
- ⇒ Do not transport any loose parts or other loads!
- ⇒ Ensure uniform load distribution!

After concreting:



Warning

Risk of injury through tilting components!

- ⇒ Do not release the panels from the concrete with the crane.
- ⇒ Never set the load down abruptly!
- ⇒ Never set down load on obstacles!
- ⇒ Never set down load on uneven surfaces!
- ⇒ Only set the load down on sufficiently load-bearing surfaces!

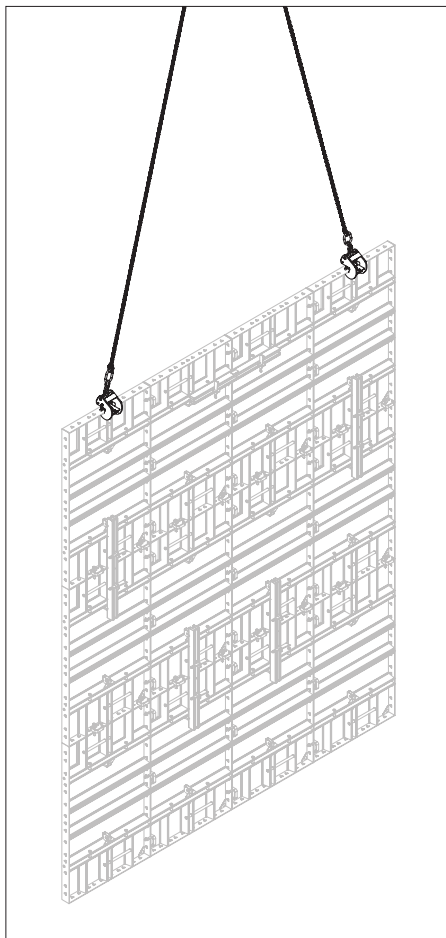


Fig. 7

Dismantling



Warning

Risk of falling!

A fall can result in serious injuries or even death!

⇒ Dismantling work must not be carried out on a suspended load!

⇒ The load must be secured against tipping, rotating or sliding!

Panel can tip over!

⇒ Support and secure panel (e.g. with push-pull props) before releasing the Crane Hook HSA!

1. Push the spring-loaded lock plate (3) upwards and remove the locking hook (6) from the triangular slots of the panel. (Fig. 9)
2. Disassemble the Crane Hook HSA from the panel.

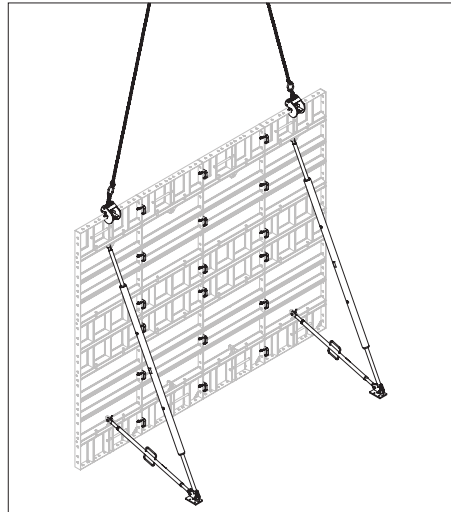


Fig. 8

Disposal

Disposal of the components must be arranged by an authorized person.



Information

- Separate materials correctly and according to type.
- The materials are to be disposed of according to local regulations and guidelines.

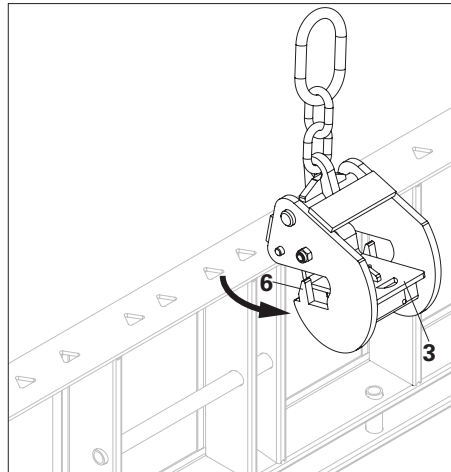


Fig. 9

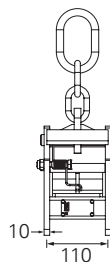
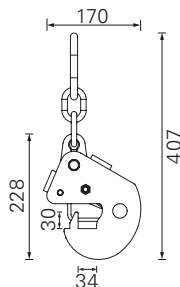
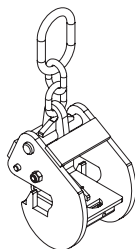


Item no.	Weight kg
135868	6.32

Crane Hook HSA
For transporting HSA Panels.

Note
Follow Instructions for Use.

Technical data
Permissible load-bearing capacity 500 kg.



Name and address of manufacturer:

PERI GMBH
Rudolf-Diesel-Straße 19
89264 Weissenhorn

EC-Declaration of Conformity

according with the EC Machinery Directive 2006/42/EC, Annex II, Part 1, Section A of 17.05.2006.

Description and identification of the lifting accessories

Machine: CRANE HOOK HSA
Series: Formwork – Wall and Column Formwork
Art-Nr.: 135868
Model-Nr.: D004.028Z0000#b#
Function: Lifting accessory for moving panel formwork sections or assemblies of the PERI HANDSET Alpha (HSA) system.

It is expressly declared that the lifting accessories fulfils all relevant provisions of the following EU Directives or Regulations:

EC-Directive 2006/42/EC Machinery Directive

Reference to the harmonised standards used, as referred to in Article 7 (2):

DIN EN ISO 12100 Safety of machinery - General principles for design - Risk assessment and risk reduction
DIN EN 13155 Crane - Safety - Non-fixed load lifting attachments
DIN EN 1677-1 Components for slings - Safety - Part 1: Forged steel components, Grade 8
DIN EN 818-2 Short link chain for lifting purposes - Safety - Part 2: Medium tolerance chain for chain slings - Grade 8

Person established in the Community authorized to compile the relevant technical documentation

PERI GmbH
Address see manufacturer

Weissenhorn, 02.07.2020



Dipl.-Ing. Rainer Bolz, Head of R&D Formwork

**The optimal
System for every
Project and every
Requirement**



Wall Formwork



Column Formwork



Slab Formwork



Climbing System



Bridge Formwork



Tunnel Formwork



Shoring Systems



Construction Scaffold



Facade Scaffold



Industrial Scaffold



Access



Protection Scaffold



Safety Systems



**System-Independent
Accessories**



Services



PERI GmbH
Formwork Scaffolding Engineering
 Rudolf-Diesel-Strasse 19
 89264 Weissenhorn
 Germany
 Tel. +49 (0)7309.950-0
 Fax +49 (0)7309.951-0
 info@peri.com
 www.peri.com

