

SRS

Circular Column Formwork

Instructions for Assembly and Use – Standard Configuration



Introduction		
	Overview, Main Components	1
	Intended Use	2
	Misapplications	2
	General Safety Instructions	3
	System-Specific Safety Instructions	4
	Additional Product Information	4
	Care and Maintenance Instructions	5
A Assembly and Dismantling		
A1	Storage and Transportation	6
A2	Assembly	
	Circular Column Platform	8
	Ladder Access	9
	Push-Pull Props and Kicker Braces	11
A3	Extending at the Bottom / Extensions	12
A4	Shuttering	14
A5	Striking	16
B Application		
B1	Available panel sizes	18
B2	Connection to TRIO Panel Formwork or RUNDFLEX Circular Formwork	19
B3	Push-pull props	20
B4	Parts list for access ladders	21
Components		
	Components	22

Key



Safety instructions



Visual check



Load-bearing point



Safety helmet



Safety goggles



Note



Tip

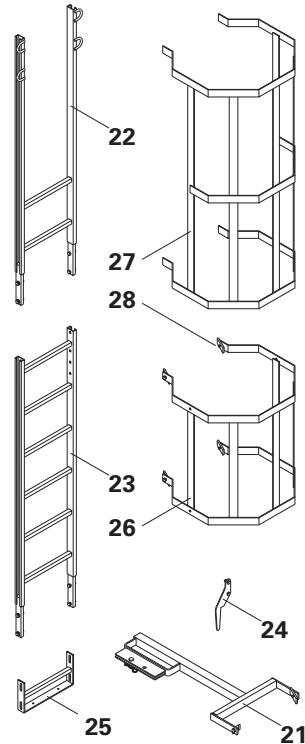
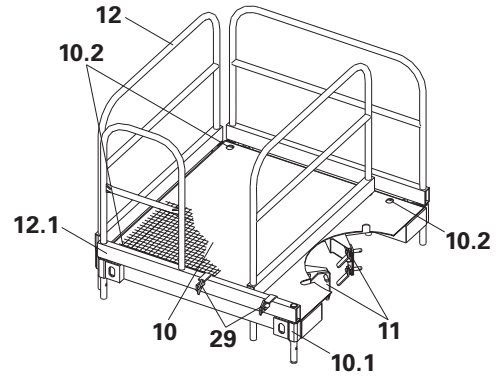
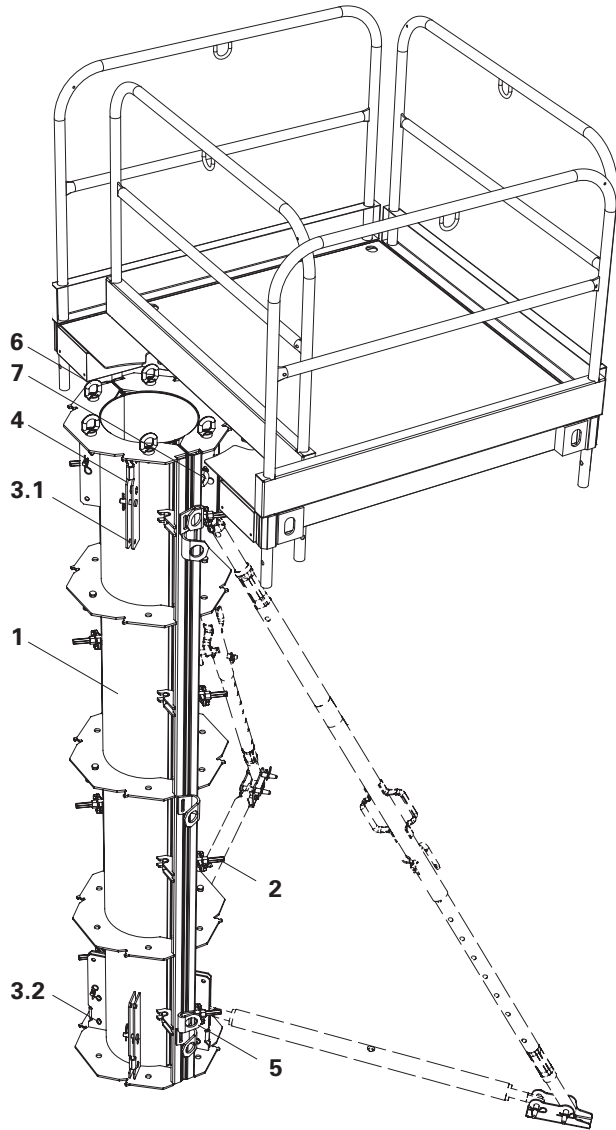


Safety gloves



Safety shoes

Overview, Main Components



SRS Column

- 1 Column Panel
- 2 Tie Yoke
- 3.1 Connection for Push-Pull Prop
- 3.2 or Kicker Brace
- 4 Connection for Circular Column Platform
- 5 Stacking Aid / Pre-Centring / Crane Eye
- 6 Ring Bolt for extending at the bottom / height extensions and as crane eye
- 7 Striking Bolt

Circular Column Platform

- 10 Circular Column Landing
- 10.1 Handrail Holder (10x)
- 10.2 Additional Handrail Holder (2x)
- 11 Telescopic Beam (2x)
- 12 Handrail (3x)
- 12.1 Access Handrail

Ladder access

- 21 SRS Ladder Connector
- 22 End Ladder 180/2
- 23 Ladder 180/6
- 24 Ladder Hook
- 25 Ladder Base
- 26 Ladder Safety Cage 75
- 27 Ladder Safety Cage 150
- 28 Clamping Plates
- 29 Ladder Holder

Intended Use

Product Description

PERI SRS Circular Column Formwork is used to create perfect concrete surfaces. The column panels are made of steel and powder coated to ensure easy cleaning. Each formwork element (half form) has two welded-on connecting possibilities for push-pull-props and concreting platforms. The construction provides a pre-centring which ensures easy closing of the formwork.

Integrated stacking aids allow easy stacking and prevents the elements sliding during transportation.

The tie yokes with self-cleaning hexagonal threads are permanently connected to the panel and cannot be lost.

The striking bolt for easy striking can be used without requiring any tools.

The crane eyes are fixed to the elements and are used when moving them, also when the elements are stacked.

System dimensions

Maximum formwork heights:

6.00 m with $\varnothing = 25, 30, 35, 40$ cm
7.20 m with $\varnothing = 45, 50, 55, 60, 65$ cm
8.40 m with $\varnothing = 70$ cm
Extendable in 30 cm increments

Standard diameter 25 – 70 cm
in 5 cm increments.

Other diameters 75 – 120 cm
in 5 cm increments.

Technical Data

Permissible fresh concrete pressure
150 kN/m².

Misapplications

General

The use in a way not intended, deviating from the standard configuration or the intended use according to the assembly instructions, represents a misapplication with a potential safety risk.

Only PERI original components may be used. The use of other products and spare parts represents a misapplication with associated safety risks.

Changes to PERI components are not permitted and represent a misapplication with associated safety risks.

The illustration on the front cover of these assembly instructions is understood to be a system representation only. The structures shown in these assembly instructions are examples and feature only one component size. They are valid for all component sizes contained in the standard configuration.

For a better understanding, detailed illustrations are partly incomplete. The safety installations which have possibly not been featured in these detailed drawings must nevertheless be available.

Safety instructions

General

PERI products have been exclusively designed for use in the industrial and commercial sectors by suitably trained personnel.

These assembly instructions serve as basis for the project-related risk assessment and the instructions for the provision and use of the system by the contractor (user).

However, they do not replace them.

Before each use the materials and the working areas are to be regularly checked in particular for signs of damage, stability and functionality. Damaged components must be replaced immediately on site and may no longer be used.

Safety instructions and permissible loads must be observed at all times.

Remove safety components only when they are no longer required or if the official representative of the contractor gives instructions for this to take place.

For the application, inspection and repair of our products, the current safety regulations and guidelines must be observed in the respective countries where they are being used.

Components provided by the contractor must conform with the characteristics required in these assembly instructions as well as with all valid construction guidelines and standards.

In particular, the following applies if nothing else is specified:

- Timber components: Strength Class C24 for Solid Wood according to EN 338.
- Scaffold tubes: galvanised steel tubes with minimum dimensions of $\varnothing 48.3 \times 3.2$ mm according to EN 12811-1:2003 4.2.1.2.
- Scaffold tube couplings according to EN 74.

Any deviations from the standard configuration may only be carried out after a separate risk assessment has been done by the contractor (user).

On this basis, appropriate measures for the working safety and stability are to be implemented.

The contractor must ensure that the assembly instructions provided by PERI are available for the users at all times and that they are also fully understood.

During unfavourable weather conditions, suitable precautions and measures are to be implemented in order to guarantee working safety and stability.

After exceptional events or long periods of downtime whereby the formwork or sub-structure was not used, the unit and its components must be checked for signs of damage as well as stability and functionality.

The contractor (user) must ensure the stability throughout all phases of construction. He must ensure and verify that all occurring loads are safely transferred.

The contractor (user) has to provide safe working areas for site personnel which are to be reached through the provision of safe access ways. Areas of risk must be cordoned off and clearly marked. Hatches and openings on accessible working areas must be kept closed during working operations.

The contractor must ensure that the user fulfils the minimum requirements for personal protective equipment, e.g.:

- Safety gloves,
- Safety helmet,
- Safety shoes,
- Safety glasses.

Storage and Transportation

Do not drop the components.

Store and transport components ensuring that no unintentional change in their position is possible. Detach lifting gear from the lowered components only if they are in a stable position and no unintentional change is possible.

During the moving procedure, ensure that components are picked up and set down so that unintentional falling over, falling apart, sliding or rolling is avoided.

Use only suitable load-carrying equipment to move the components as well as the designated load-bearing points.

During the moving procedure, always guide the components by means of a rope.

Move components on clean, flat and sufficiently load-bearing surfaces only.

Use original PERI storage and transport systems, e.g. crate pallets, pallets or stacking devices.

Safety instructions

System-Specific

Retract components only when the concrete has sufficiently hardened and the responsible person has given the instructions to strike.

Anchoring is to take place only if the anchorage has sufficient concrete strength.

Additional Product Information

- SRS Circular Column Formwork Brochure
- PERI design tables

Care and Maintenance Instructions

Formwork

Regular cleaning and care is necessary in order to maintain the value and usability of the formwork material in the long-term. Additionally, some repair work may also be inevitable due to the tough working conditions. The following points should help to keep care and maintenance costs as low as possible.

The elements (used or new) should be sprayed all over with the PERI Bio Clean concrete release agent before every use. This makes it easier and quicker to clean the formwork. The concrete release agent should always be sprayed on thinly and evenly!

Spray rear side of the formlining with water immediately after concreting. This saves on time-consuming cleaning operations.

The formlining of the panels must be sprayed with the release agent immediately after striking if in continuous use. Only then cleaning can take place with a scraper, brush or rubber lip scraper. Important: do not clean plywood formlining with a high-pressure cleaner as this can lead to damage.

Box outs and built-in parts should be fixed with double-headed nails. This

makes it easier to remove the nails later on and prevents damage to the formlining to a great extent.

Any unnecessary anchor holes should be sealed with plugs. As a result, this eliminates subsequent cleaning or repair work. Anchor holes accidentally blocked with concrete are freed by means of a steel pin from the formlining side.

When putting down bundles of reinforcement bars or other heavy objects on horizontally-stored formwork elements, suitable support items, e.g. square timbers, are to be used. This prevents indentations and damage being caused to the formlining.

If possible, concrete internal vibrators are to be used with rubber caps. This reduces the risk of damage to the formlining if accidentally "inserting" the internal vibrator between the reinforcement and formlining.

The elements should not be treated with concrete release agent immediately before transport due to safety reasons.

Steel brushes or hard metal scrapers must not be used for cleaning powder-coated elements or accessories. Such

cleaning processes will destroy the high-quality powder coating.

Use spacers for reinforcement with large-area support or flat supports. This prevents indentations being created in the formlining by the load.

Mechanical components, such as spindles or gear mechanisms, must be cleaned of dirt or concrete residue before and after use, and then greased with suitable lubricants.

The column panels can be stacked and stored as shown whereby the forming surface is protected from the weather as much as possible. The bottom column panel is supported on the stacking aid (5) during storage. (Fig. A1.01)

Each column panel has stacking aids (1.1) in order to prevent sliding in both longitudinal and lateral directions. (Fig. A1.02)

Moving:

- individually
- in stacks with the crane (5)
- with a fork-lift truck (Fig. A1.03 + A1.04)

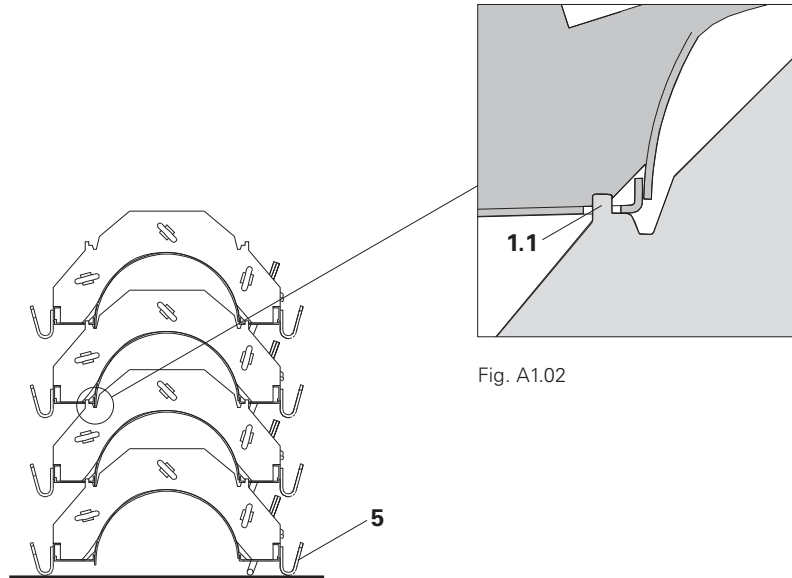


Fig. A1.01

Fig. A1.02

Table
Max. number of unsecured stacked column panels outdoors*

Diameter [cm]	Quantity
Ø 25	6
Ø 30	8
Ø 35 – 70	9

*Assumptions:

- flat surface
- wind load according to DIN 4420, T1

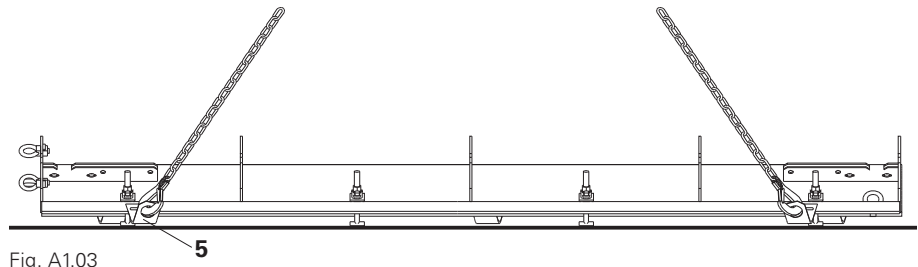


Fig. A1.03

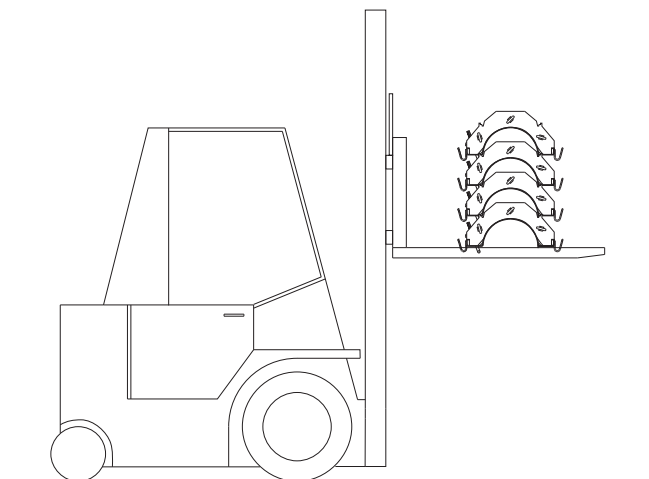


Fig. A1.04

Circular Column Platform

Attach Circular Column Platform to the horizontally-positioned Column Panel.

1. Set the Telescopic Beam (11) with help of the integrated markings (11.1) to the required diameter (11.2).
2. Slide back the captive Bolts (11.3) as far as possible. (Fig. A2.01)
3. Position Platform using 2 men and insert into the drilled holes (4). (Fig. A2.02)
4. Secure Platform by means of bolts (11.3). (Fig. A2.03)
5. Insert Handrails (12) and Access Handrail (12.1) into the holders (10.1). The Platform is now mounted. (Fig. A2.04)

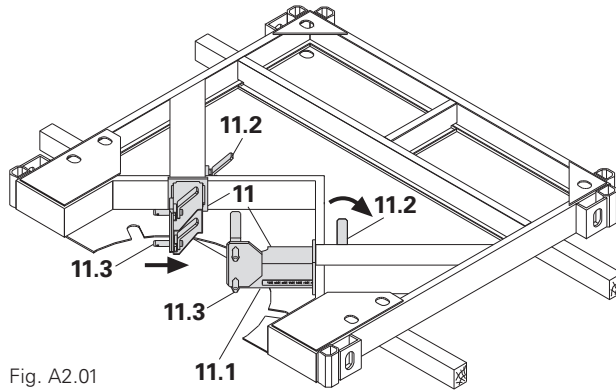


Fig. A2.01



The platform decking (10.3) must be positioned above the Column Web (1.3) with large column diameters. Remove Eye Bolts, if necessary, for assembly. (Fig. A2.05)

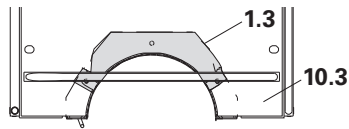


Fig. A2.05

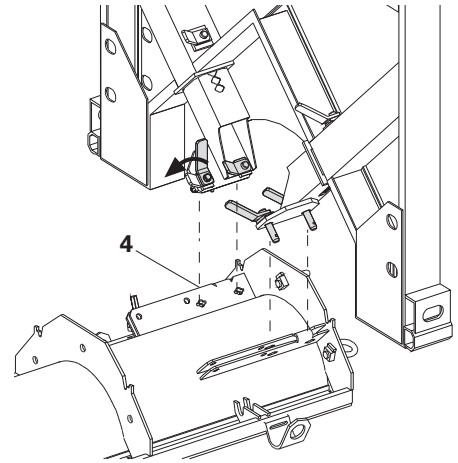


Fig. A2.02

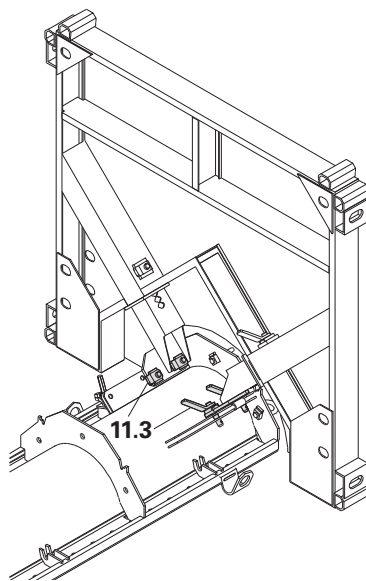


Fig. A2.03

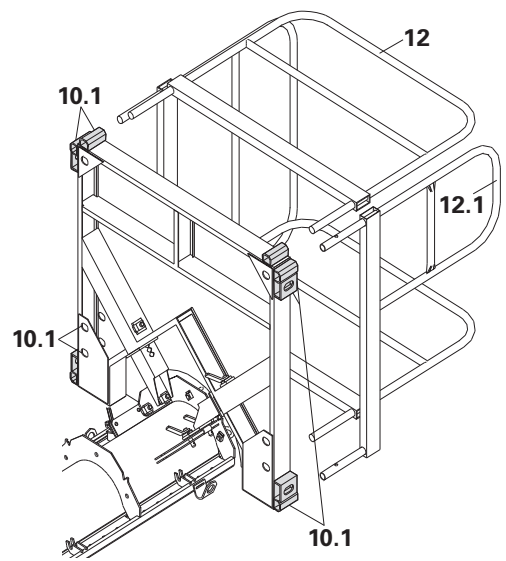


Fig. A2.04

Ladder access

Mount Access Ladders on both column elements: 1 x with exit, 1 x without exit. Always mount End Ladders on horizontally-positioned column elements.

With exit:

1. Mount ladder connections (21) using bolts and cotter pins in the column web (1.3). (Fig. A2.06)
2. Pre-assemble ladders:
 - Attach Ladder 180/6 (23) to End Ladder 180/2 (22), SW 19. Depending on the height, mount additional Ladders 180/6.
 - Fix Ladder Base (25) and Ladder Hook (24) to the bottom ladder, SW 19. (Fig. A2.07)
3. Fix Ladder with Clamping Plates (28) to the ladder connections (21), SW 19. (Fig. A2.08 + A2.08.1)

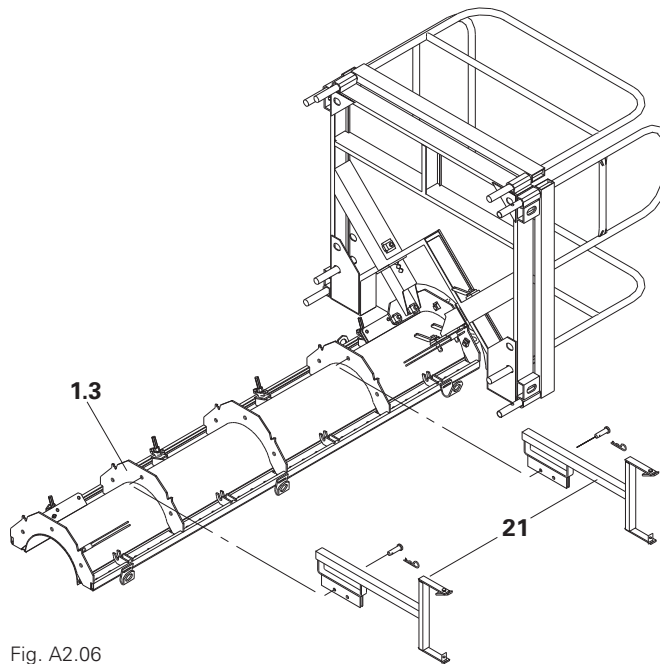


Fig. A2.06



Visual check of the clamping plates.



The contact surface of the Clamping Plates must rest against the ladder profile!

4. Clamp the Ladder Holder (29) above the profile of the Access Handrail (12.1) and fix to the ladder profile with the clamping plate (28), SW 19. (Fig. A2.08.2)

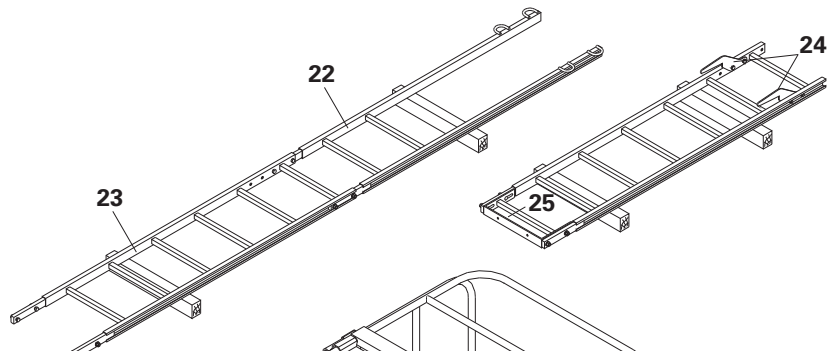


Fig. A2.07

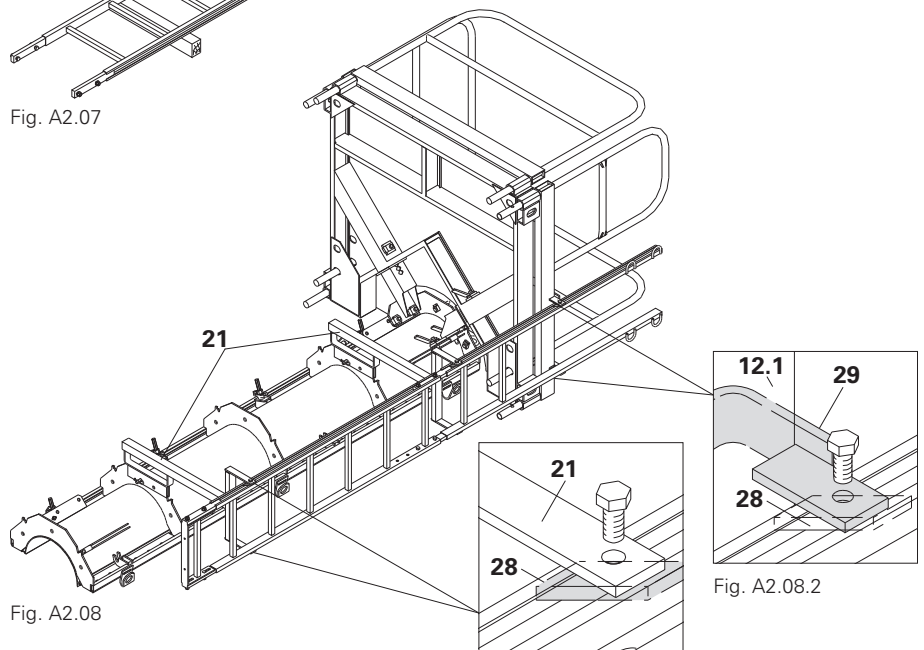


Fig. A2.08

Fig. A2.08.1

Fig. A2.08.2

Ladder access

5. Attach Ladder Safety Cage 150 (27) using clamping plates to End Ladder 180/2 (22) and Ladder 180/6 (23) – overlapping ladder joint – SW 19. (Fig. A2.09 + A2.09.1)
6. Attach Ladder with Ladder Hook to the vertical column element.

Fig. A2.09.1

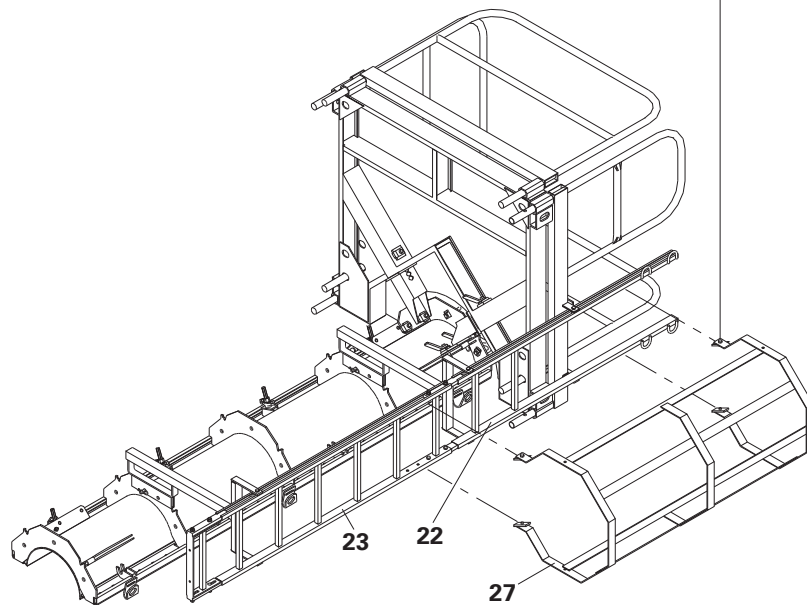
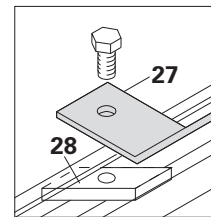


Fig. A2.09

Without exit:

Ladder Access on second column half for attending to the Tie Yoke. End Ladder 180/2 not required. (Fig. A2.10)

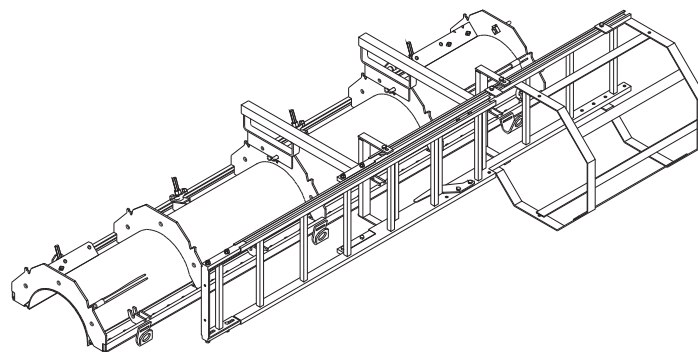


Fig. A2.10

Push-Pull Props and Kicker Braces

Mount Push-Pull Props and Kicker Braces on the horizontally-positioned column element.



- Always attach the Push-Pull Prop in the drilled hole (3.1). (Fig. A2.11)
- Always attach the Kicker Brace in the drilled hole (3.2). (Fig. A2.12)

1. Fix Base Plate to Kicker Brace and connect to Push-Pull Prop.
2. Fix Push-Pull Prop and Kicker Brace with bolts and cotter pins. (Fig. A2.13)



In order to avoid the repeated assembly and dismantling of the Push-Pull Props and Kicker Braces, these are to be braced with scaffold tubes and couplings.

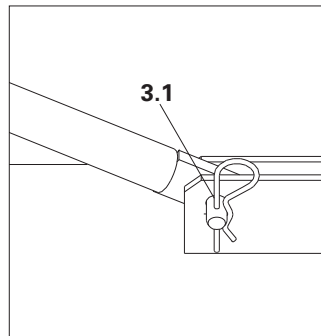


Fig. A2.11

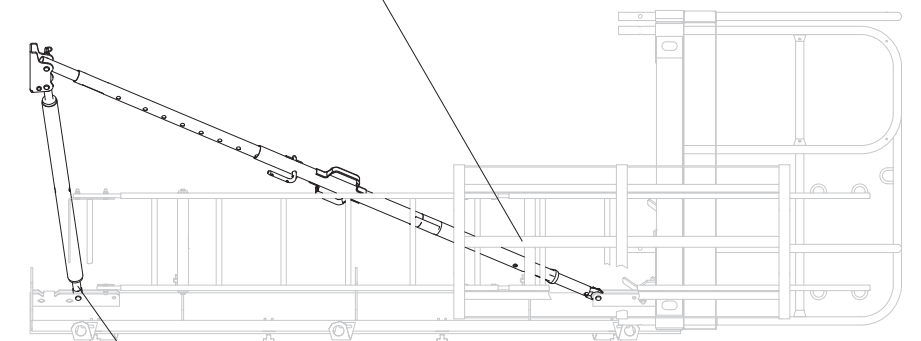


Fig. A2.13

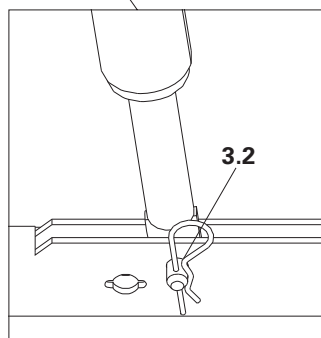


Fig. A2.12

Mount column panels for extending the column in the horizontally-positioned elements. They can be mounted above or below on the base element.

1. Remove Eye Bolts (6) from the bottom element.
2. Insert the top element with its projecting length of formlining (13) into the formlining recess (14) of the bottom element. (Fig. A3.01.1)
3. Connect using Eye Bolts (6). The nuts are secured against over-tightening through a limit stop. (Fig. A3.01)



If the column formwork has to be adapted to changing concreting heights during construction progress, the smaller column elements are to be mounted at the bottom. As a result, the dismantling and re-installation of the Circular Column Platform and Access Ladders is not required.

- In order to ensure a tidy joint pattern, make sure that simultaneous and offset-free alignment of the elements takes place when assembling the column elements.
- When choosing the formwork height, take into consideration the Slab Starter Bars.

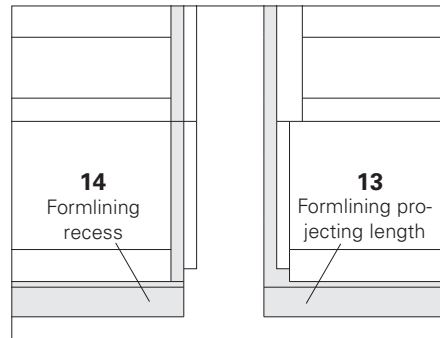


Fig. A3.01.1

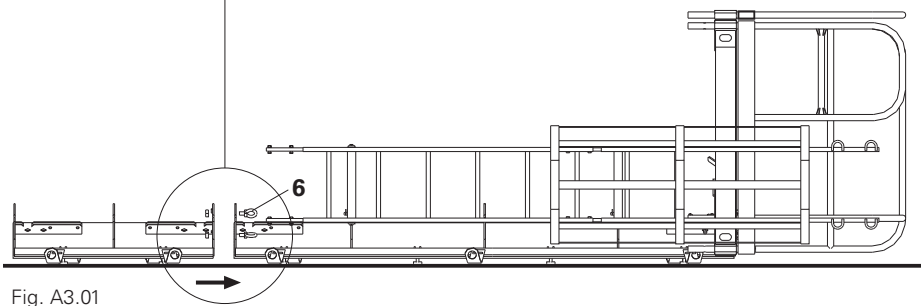


Fig. A3.01

Table
Required elements depending on the formwork height

Formwork height [m]	Element Height [m]			
	0.30	1.20	2.40	3.00
0.30	1			
0.60	2			
0.90	3			
1.20		1		
1.50	1	1		
1.80	2	1		
2.10	3	1		
2.40			1	
2.70	1		1	
3.00				1
3.30	1			1
3.60		1	1	
3.90	1	1	1	
4.20		1		1
4.50	1	1		1
4.80			2	
5.10	1		2	
5.40			1	1
5.70	1		1	1
6.00				2

Table
Horizontal pre-assembly over 6.00 m high, up to $\varnothing = 70$ cm

Depending on the diameter of the formwork and the used column segments, maximum formwork heights and weights are permissible with horizontal pre-assembly of the half forms.

These permissible heights can be increased through the clamping together of the column segments with the Main Beam Clamp HD (Item no. 022014 or 106183).

Arranging the segments over the complete height can be done arbitrarily. The permissible heights and weights of the formwork halves are specified in the table.

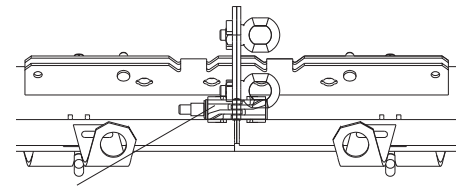
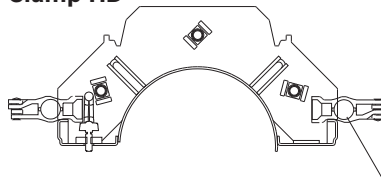
The smaller assembly height in each case applies for the use of elements $h = 1.20$ m.

The maximum assembly height applies for the use of elements $h = 3.0$ m plus a single-piece rest.

If other assembly variants are selected, neither the assembly height nor weight may be exceeded.

Diameter [cm]	Without Main Beam Clamp		With 2 Main Beam Clamps	
	Weight [kg]	Assembly Height [m]	Weight [kg]	Assembly Height [m]
25	305	6.0	488	9.6
	293	7.2	445	11.4
30	345	6.0	552	9.6
	331	7.2	502	11.4
35	360	6.0	576	9.6
	350	7.2	533	11.4
40	380	6.0	684	10.8
	374	7.2	596	12.0
45	498	7.2	747	10.8
	460	8.4	652	12.0
50	522	7.2	783	10.8
	484	8.4	684	12.0
55	570	7.2	855	10.8
	561	9.0	748	12.0
60	582	7.2	873	10.8
	579	9.0	772	12.0
65	618	7.2	1030	12.0
	615	9.0	923	13.2
70	763	8.4	1199	13.2
	651	9.0	1085	15.0

Arrangement of the Main Beam Clamp HD



Item no. 022014 and 106183

Using the table on the basis of the example $\varnothing = 50$ cm

Use without Main Beam Clamp HD

3.00	3.00	3.00
------	------	------

1.20	1.20	1.20	1.20	1.20	1.20
------	------	------	------	------	------

3.00	2.40	1.20	1.20	30
------	------	------	------	----

3.00	2.40	2.40	30
------	------	------	----

Use without Main Beam Clamp HD is the same.

max. $h = 8.40$ m / weight: 484 kg

max. $h = 7.20$ m / weight: 522 kg

Diff: $h = 1.20$ m / weight: 38 kg

$h = 8.10$ m / weight: 523 kg

$484 \text{ kg} < 492 \text{ kg} =$ not permitted

➔ Main Beam Clamp required

$h = 8.10$ m / weight: 492 kg

$484 \text{ kg} < 492 \text{ kg} < 522 \text{ kg}$

Diff: $522 \text{ kg} - 492 \text{ kg} = 30 \text{ kg}$

perm. $h = 7.20 \text{ m} + 30/38 \times 1.20 \text{ m} = 8.15 \text{ m}$

➔ Main Beam Clamp required

Shuttering



Check the ring bolts to make sure they are secure before crane lifting gear is attached each time!

Firstly, set up the column panel with the Push-Pull Props.

1. Attach 3-sling lifting gear to the ring bolts (6). (Fig. A4.03)

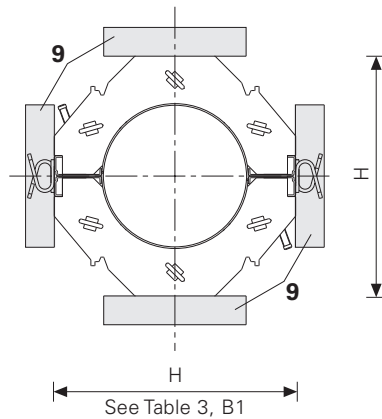


Fig. A4.01



- The dimension "H" and the straight outside edge allow easier attachment of locating boards (9). (Fig. A4.01)
- The internal vertical joint of the column elements is also closed even if the column profiles do not push together when the outside tie yokes are tightened as usual.
- When placing the elements, ensure that the formling projecting length is at the bottom.



Striking Bolt (7) must be pushed back. (Fig. A4.02)

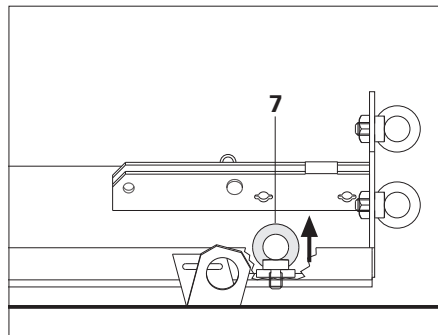


Fig. A4.02

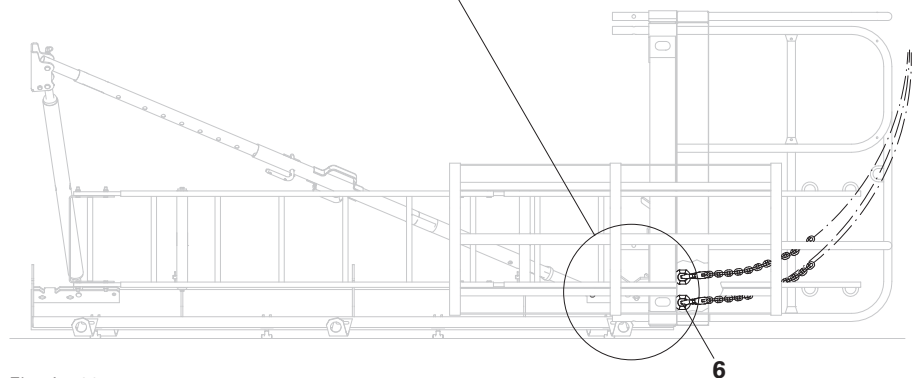


Fig. A4.03

Shuttering

2. Position column panel with Push-Pull Props. (Fig. A4.04)
3. Fix Push-Pull Props using dowels, e.g. with PERI Anchor Bolts 14/20 x 130 or similar. g.

Now the crane lifting gear can be released!

4. Attach second column panel on the ring bolts. (Fig. A4.04.1)
5. Bring together the two halves with help of the pre-centerings (5). (Fig. A4.05)

Now the crane lifting gear can be released!

Attach ladders.

6. Connect the tie yoke (2) in its counterpart and evenly tighten. (Fig. A4.06)
7. For aligning the circular steel column, place the spirit level in a vertical position over the push-pull prop connection.

The circular steel column is now ready for concreting.

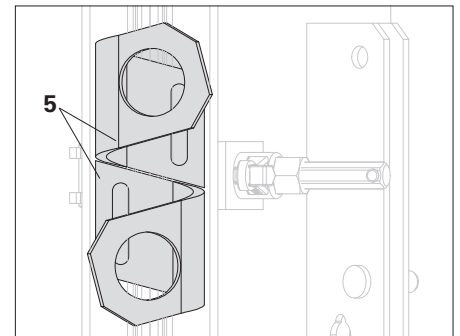


Fig. A4.05

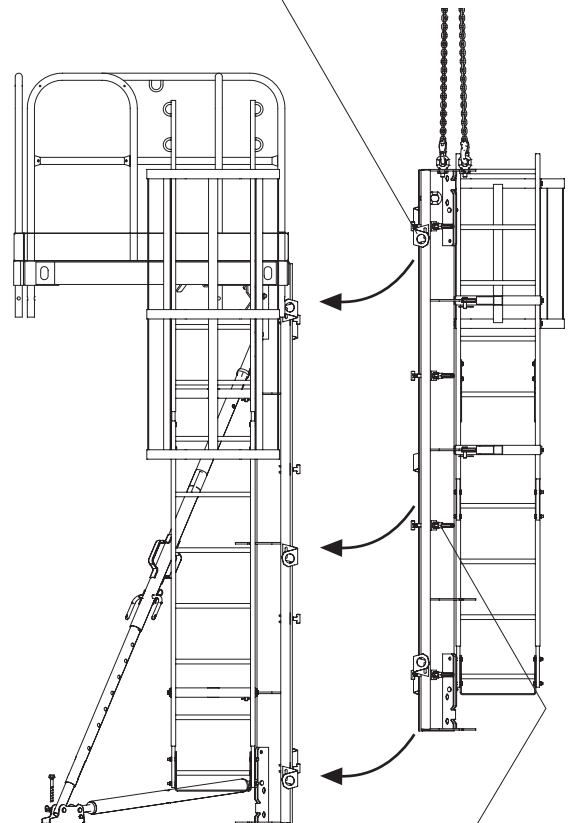
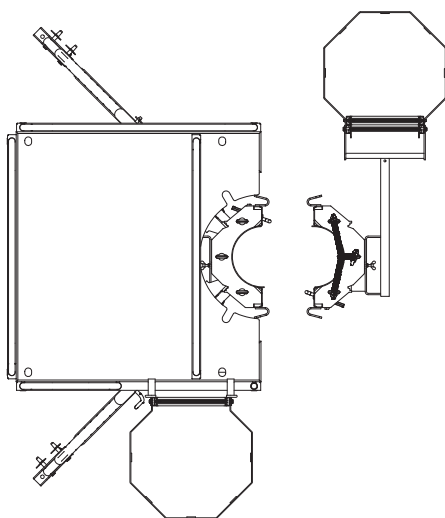


Fig. A4.04

Fig. A4.04.1



Top View Fig. A4.04 + A4.04.1

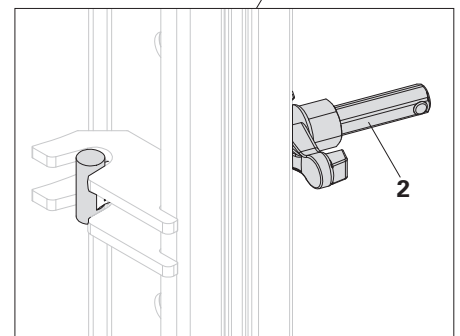


Fig. A4.06

Striking



Firstly, remove the column panel without any Push-Pull Props.

1. Attach 3-sling lifting gear to the ring bolts (6). (Fig. A5.01.1)
2. Open Tie Yoke (2). (Fig. A5.01.2)
3. Push apart the column halves with the Striking Bolt (7). (Fig. A5.01.3)
4. Carefully lay the column panel down and clean.
5. Attach the crane lifting gear to the standing column element and dismantle the Base Plate of the Push-Pull Props. (Fig. A5.02)
6. Lay the column element on the Circular Column Platform for cleaning. (Fig. A5.03)
7. Push back Striking Bolt (7) for the next shuttering procedure.

Lay the element down with the formlining side facing downwards for dismantling the Push-Pull Props, Access Ladder or Platform.

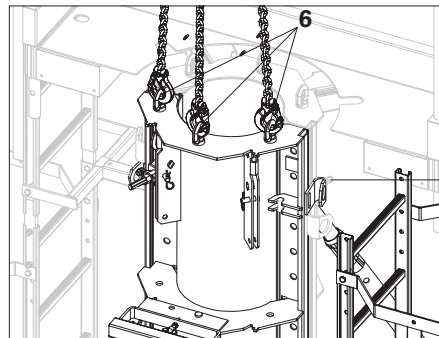


Fig. A5.01.1

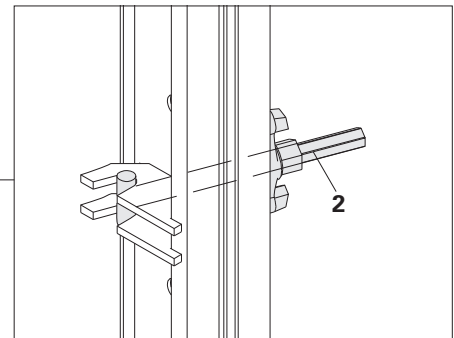


Fig. A5.01.2

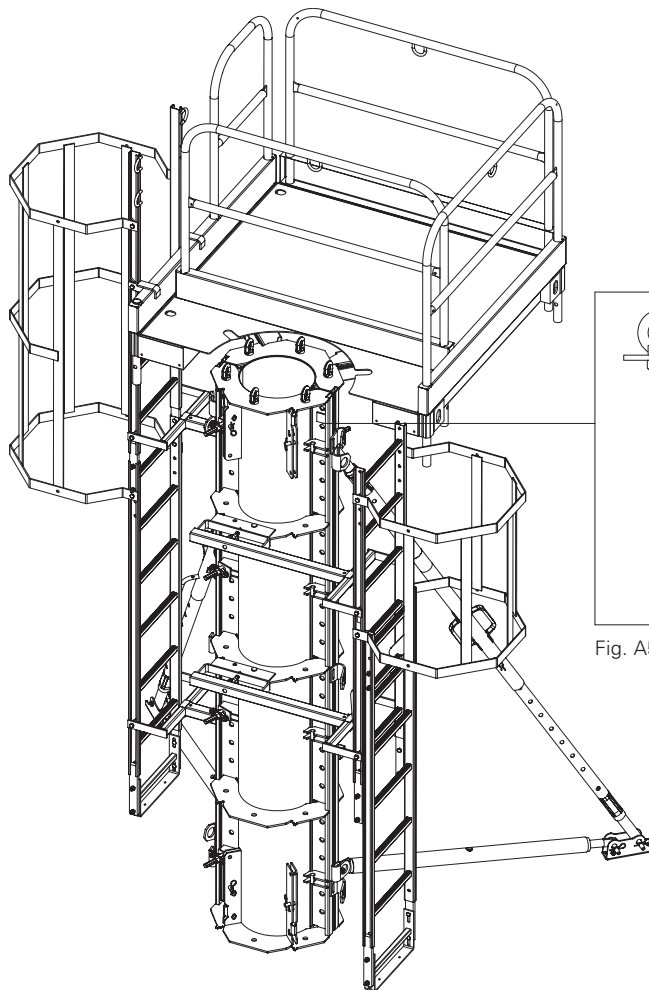


Fig. A5.01.3

Fig. A5.01

Setting down

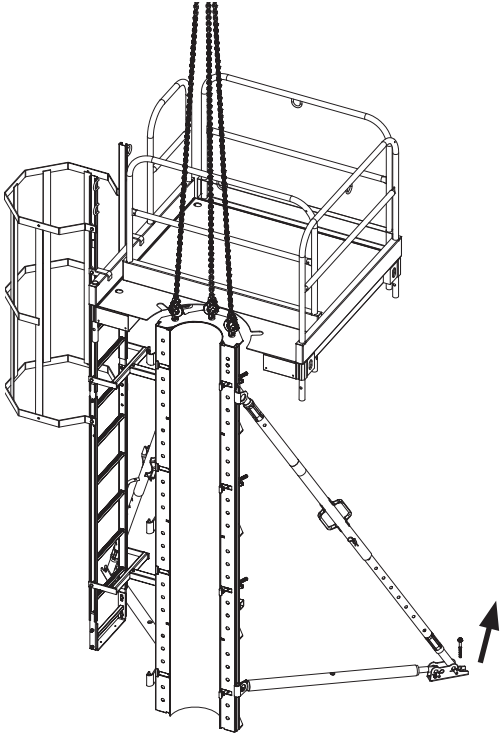


Fig. A5.02

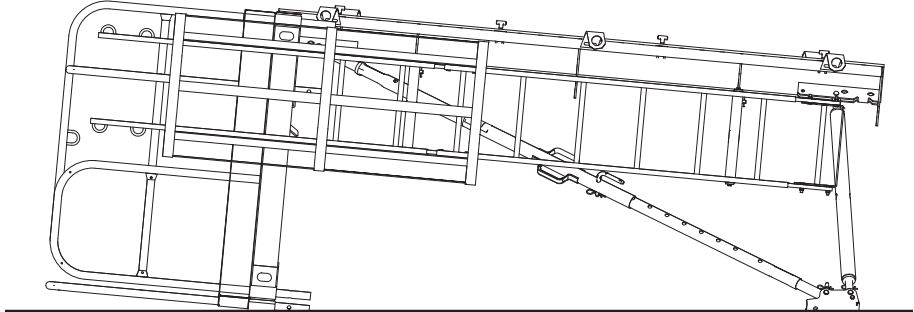


Fig. A5.03

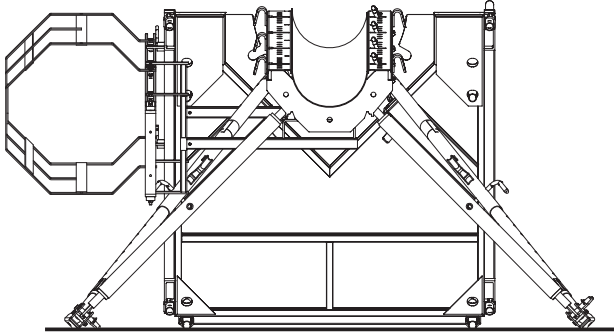
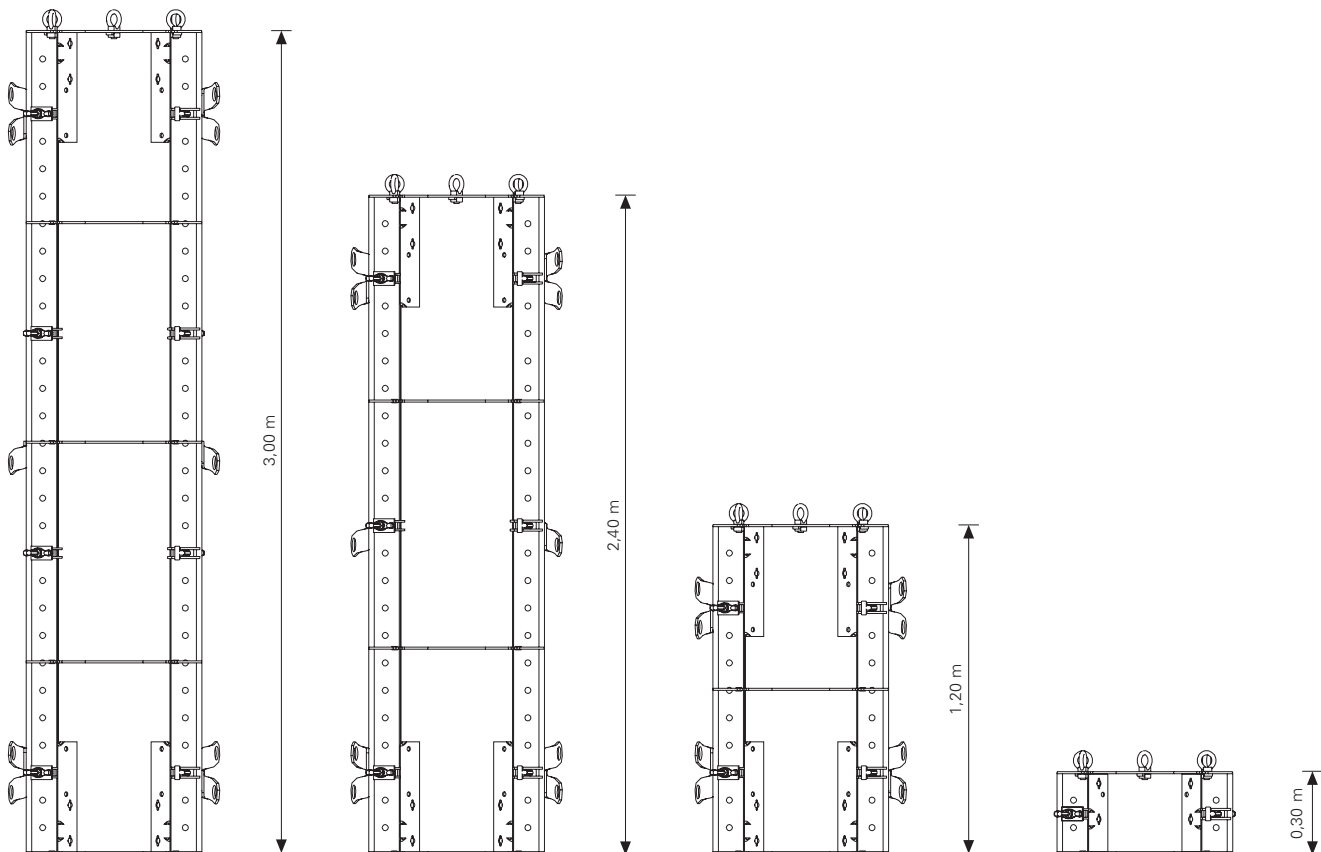
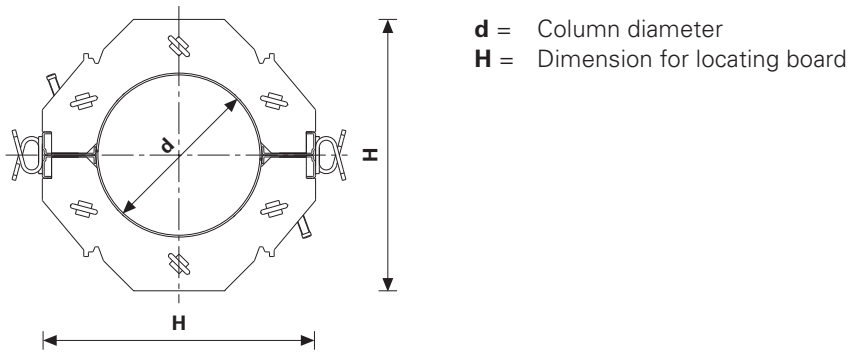


Fig. A5.04

B1 Available Panel Sizes

Table
Height and diameter of the SRS
Column Panels

Panel Height H [m]	Diameter d [cm]									
	25	30	35	40	45	50	55	60	65	70
3.00	X	X	X	X	X	X	X	X	X	X
2.40	X	X	X	X	X	X	X	X	X	X
1.20	X	X	X	X	X	X	X	X	X	X
0.30	X	X	X	X	X	X	X	X	X	X
H [m]	0.49	0.54	0.59	0.64	0.69	0.74	0.79	0.84	0.89	0.94



B2 Connection to TRIO Panel Formwork or RUNDFLEX Circular Formwork

Adapter Strip SRS-TRIO

Stopend formwork on the TRIO wall formwork is erected with help of the Adapter Strip SRS - TRIO and the Alignment Coupler BFD.



When using TRIO panels with tie holes in the edge profile, the tie hole could possibly be covered by the precentring of the circular column in individual cases.

We recommend using the TRIO Wall Thickness Compensator WDA 6-2.

Assembly:

1. Clamp the Adapter Strip SRS - TRIO (17) on the side of the formlining recess between the TRIO element and the Circular Column Panel.
2. Install Plugs \varnothing 20/24, Item no. 030300 in the column panel. (Fig. B2.01) The straight wall is extended thereby by 1 cm. (Fig. B2.01.1)
3. Connect both elements by means of the Alignment Coupler BFD (16). The number of Alignment Couplers BFD corresponds to the number of Tie Yokes. (Fig. B2.02)

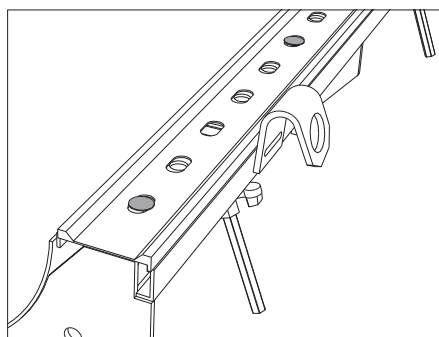
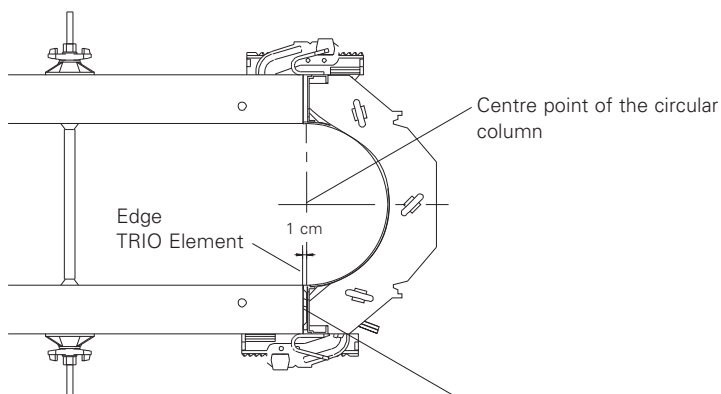


Fig. B2.01

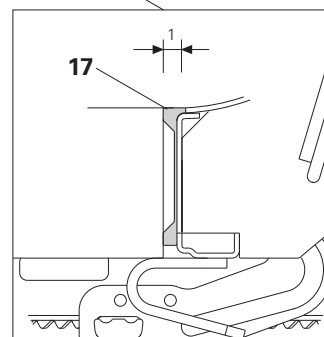


Fig. B2.01.1

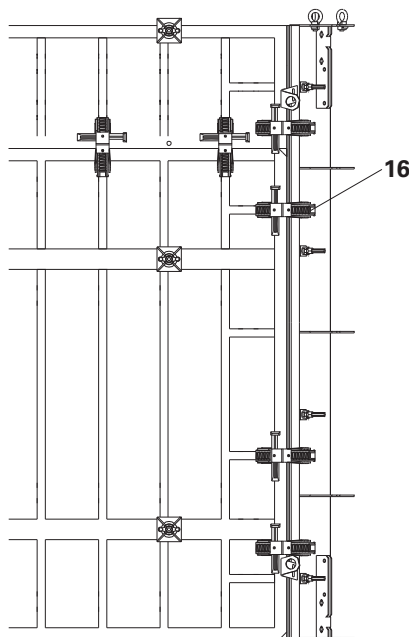


Fig. B2.02

Required Push-Pull Props and their attachment points with a positioning angle of 60°.

(Fig. B3.01 + B3.02)



- With increased requirements, maintain angle tolerances according to DIN 18202.
- Through placing on both sides of Push-Pull Props and attachment of the Push-Pull Prop in the top Push-Pull Prop Connection of the extended column.
- Kicker Brace is not required if locating boards are used.

Required Push-Pull Props RS and Kicker Braces depending on the formwork height.

Height of formwork [m]	Push-Pull Props			Kicker Brace		
	RS 300	RS 450	RS 650	RS 210	RS 300	RS 450
2.40	A					
2.70	A/B					
3.00	A			X		
3.30	A			X		
3.60		B		X		
3.90		B		X		
4.20		B		X		
4.50			B		X	
4.80			B		X	
5.10			B		X	
5.40			B		X	
5.70			B			X
6.00			B			X

Required Push-Pull Props RSS and Kicker Braces depending on the formwork height.

Height of formwork [m]	Push-Pull Props				Kicker Brace	
	RSS I	RSS II	RSS III	RS 1000	AV 210	Kicker Brace for RSS III
2.40	A				X	
2.70	A				X	
3.00	A	A			X	
3.30	A	A			X	
3.60		B			X	
3.90		B			X	
4.20	A	B			X	
4.50			B		X*	
4.80			B			X
5.10			B			X
5.40			B			X
5.70			B			X
6.00				B	X*	

* Kicker Brace with separate Base Plate fixed in position with dowels.

With Access Ladder

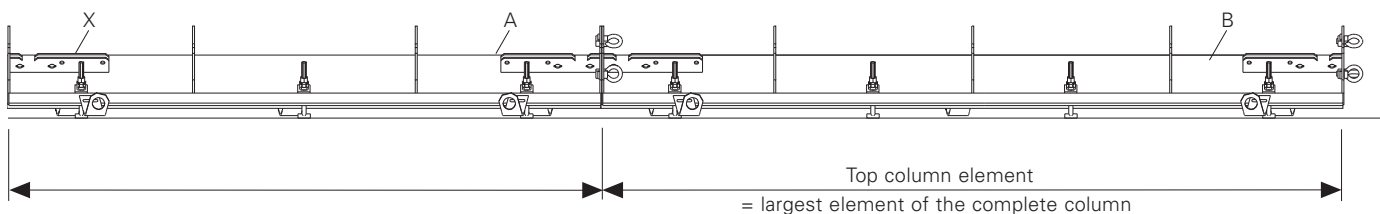


Fig. B3.01

Without Access Ladder

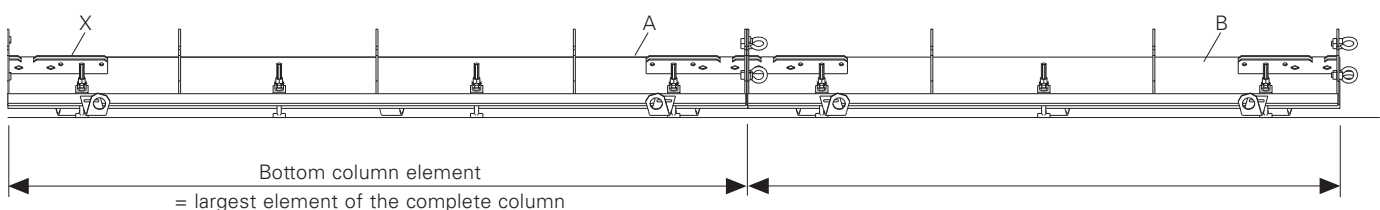


Fig. B3.02

With access possibility

Item no.	Description	2.70 m – 3.60 m	3.90 m – 4.20 m	4.50 m – 5.70 m	6.00 m – 7.50 m	7.80 m – 9.30 m	9.60 m – 10.80 m
045210	Circular Column Platform	1	1	1	1	1	1
051410	Ladder 180/6	2	2	3	4	5	6
103724	End Ladder 180/2	1	1	1	1	1	1
103417	Access Handrail SRS	1	1	1	1	1	1
051450	Ladder Safety Cage 150	1	1	2	3	4	5
104132	Ladder Safety Cage 75	0	1	2	2	2	2
051460	Ladder Base	1	1	1	1	1	1
103718	Ladder Hook	2	2	2	2	2	2
104196	Ladder Holder SRS	2	2	2	2	2	2
103374	Ladder Connector SRS	2	2	3	4	5	6

Without access possibility

Item no.	Description	2.70 m – 3.60 m	3.90 m – 4.20 m	4.50 m – 5.70 m	6.00 m – 7.50 m	7.80 m – 9.30 m	9.60 m – 10.80 m
045210	Circular Column Platform	0	0	0	0	0	0
051410	Ladder 180/6	2	2	3	4	5	6
103724	End Ladder 180/2	0	0	0	0	0	0
103417	Access Handrail SRS	0	0	0	0	0	0
051450	Ladder Safety Cage 150	0	1	2	3	4	5
104132	Ladder Safety Cage 75	1	0	1	1	1	1
051460	Ladder Base	1	1	1	1	1	1
103718	Ladder Hook	2	2	2	2	2	2
104196	Ladder Holder SRS	0	0	0	0	0	0
103374	Ladder Connector SRS	2	2	3	4	5	6

Item no.	Weight kg		B	X	Y
Circular Column Panels					
045010	23,200	Circular Column Panel Ø 25 cm h = 0.3 m	620	290	200
045011	63,000	Circular Column Panel Ø 25 cm h = 1.2 m	620	290	200
045012	98,900	Circular Column Panel Ø 25 cm h = 2.4 m	620	290	200
045013	120,000	Circular Column Panel Ø 25 cm h = 3.0 m	620	290	200
045020	25,200	Circular Column Panel Ø 30 cm h = 0.3 m	670	310	210
045021	67,700	Circular Column Panel Ø 30 cm h = 1.2 m	670	310	210
045022	107,000	Circular Column Panel Ø 30 cm h = 2.4 m	670	310	210
045023	130,000	Circular Column Panel Ø 30 cm h = 3.0 m	670	310	210
045030	26,400	Circular Column Panel Ø 35 cm h = 0.3 m	720	340	210
045031	71,500	Circular Column Panel Ø 35 cm h = 1.2 m	720	340	210
045032	114,000	Circular Column Panel Ø 35 cm h = 2.4 m	720	340	210
045033	139,000	Circular Column Panel Ø 35 cm h = 3.0 m	720	340	210
045040	28,400	Circular Column Panel Ø 40 cm h = 0.3 m	770	360	230
045041	76,300	Circular Column Panel Ø 40 cm h = 1.2 m	770	360	230
045042	123,000	Circular Column Panel Ø 40 cm h = 2.4 m	770	360	230
045043	150,000	Circular Column Panel Ø 40 cm h = 3.0 m	770	360	230
045050	31,000	Circular Column Panel Ø 45 cm h = 0.3 m	820	390	250
045051	82,000	Circular Column Panel Ø 45 cm h = 1.2 m	820	390	250
045052	132,000	Circular Column Panel Ø 45 cm h = 2.4 m	820	390	250
045053	161,000	Circular Column Panel Ø 45 cm h = 3.0 m	820	390	250
045060	32,800	Circular Column Panel Ø 50 cm h = 0.3 m	870	410	240
045061	86,500	Circular Column Panel Ø 50 cm h = 1.2 m	870	410	240
045062	140,000	Circular Column Panel Ø 50 cm h = 2.4 m	870	410	240
045063	171,000	Circular Column Panel Ø 50 cm h = 3.0 m	870	410	240

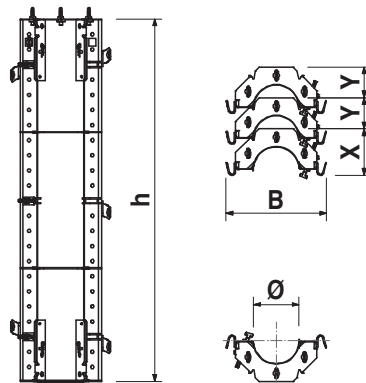
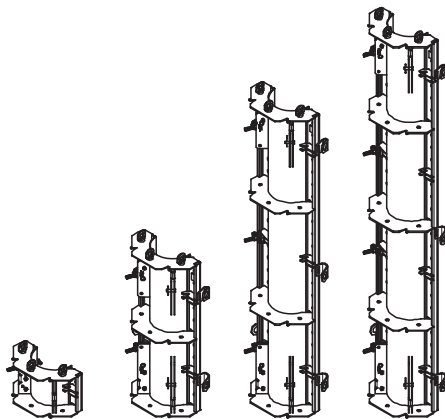
Circular column panel made of steel. With captive column bolt.

Note

Item no. and weight are per column element (half-shell).

Technical Data

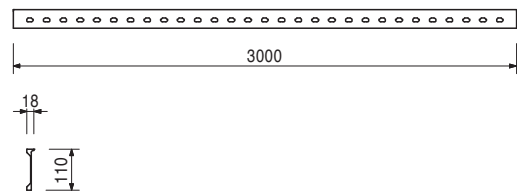
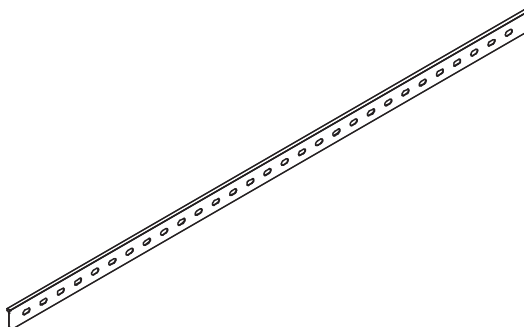
Load-bearing point capacity 1.0 t.



045200 4,070

Adapter Strip SRS-TRIO l = 3,00 m

For connecting SRS circular column elements with TRIO panel formwork. Made of aluminium.



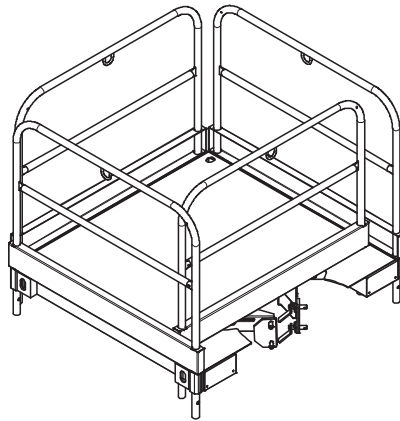
SRS Circular Column Formwork



Item no.	Weight kg
045210	135,000

Circular Column Platform 25-70, compl.
 Working and concreting platform for SRS Steel
 Circular Column Ø 25 cm up to 70 cm.

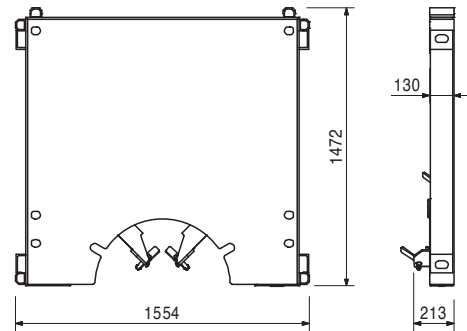
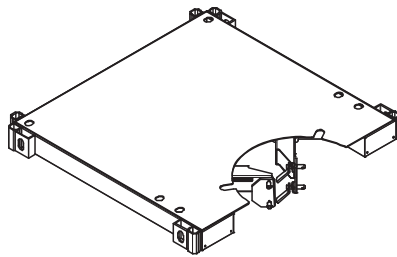
Complete with
 1 pc. 045211 Circular Column Landing 25-70
 4 pc. 037430 Platform Guardrail 134, galv.



045211	67,000
--------	--------

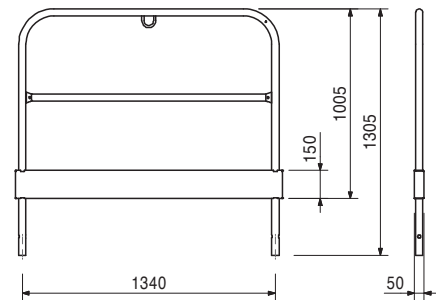
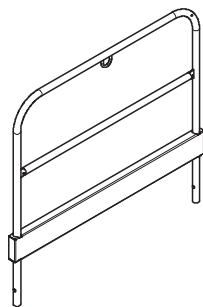
Circular Column Landing 25-70
 Fits every circular column cross-section from
 Ø 25 cm to 70 cm in 5 cm increments.

Technical Data
 Permissible load 150 kg/m².



037430	17,100
--------	--------

Platform Guardrail 134, galv.
 As guardrail for PERI Concreting Platforms. Locks
 in place automatically.



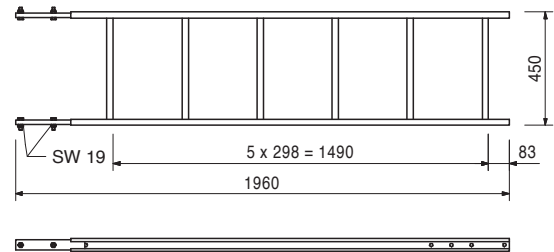
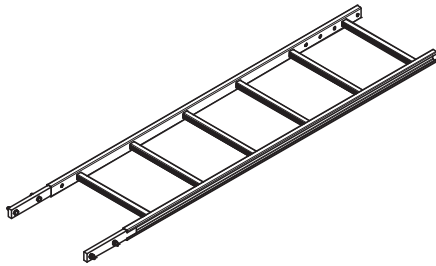
SRS Circular Column Formwork



Item no.	Weight kg
051410	11,700

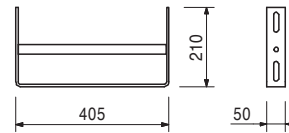
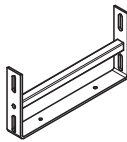
Ladder 180/6, galv.
As access for PERI formwork systems.

Complete with
4 pc. 710224 Bolt ISO 4017 M12 x 40-8.8, galv.
4 pc. 710381 Nut ISO 7042 M12-8, galv.



051460	2,180
--------	-------

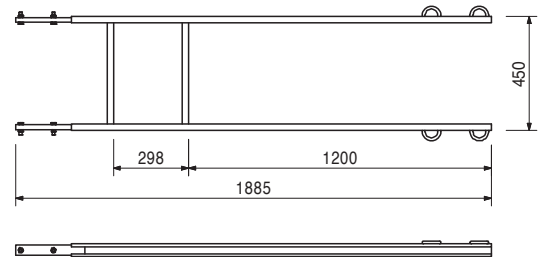
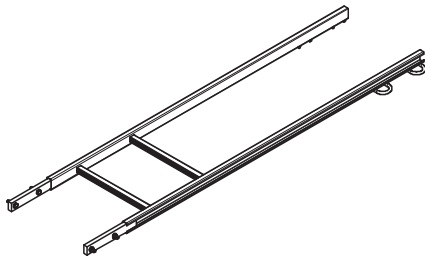
Ladder Base, galv.
As bottom ladder connection and for securing ladders against sliding on the scaffold decks.



103724	10,400
--------	--------

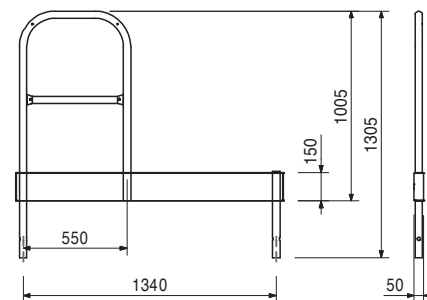
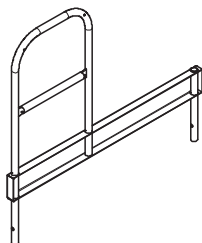
End Ladder 180/2, galv.
As access for PERI formwork systems.

Complete with
4 pc. 710224 Bolt ISO 4017 M12 x 40-8.8, galv.
4 pc. 710381 Nut ISO 7042 M12-8, galv.



103417	14,100
--------	--------

Exit Handrail Post SRS 134, galv.
For circular column landings 25-70. 1 for each access. Locks in place automatically.



SRS Circular Column Formwork

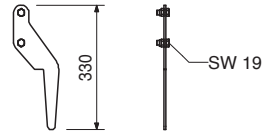


Item no.	Weight kg
103718	0,684

Ladder Hook, galv.
For adjusting the bottom ladder.
Always use in pairs.

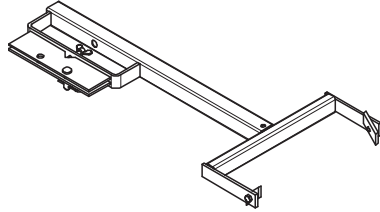


Complete with
2 pc. 710266 Bolt ISO 4017 M12 x 25-8.8, galv.
2 pc. 710381 Nut ISO 7042 M12-8, galv.

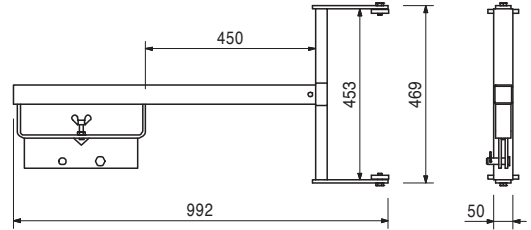


103374	9,710
--------	-------

Ladder Connector SRS, galv.
For connecting ladders to SRS circular column elements up to \varnothing 70 cm.

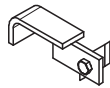


Complete with
2 pc. 701763 Clamping Plate FI 25 x 10 x 90
1 pc. 710266 Bolt ISO 4017 M12 x 25-8.8, galv.

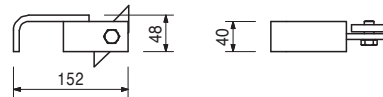


104196	0,698
--------	-------

SRS Ladder holder
For fixing access ladders to the SRS access handrail.
2 for each ladder.

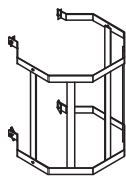


Complete with
1 pc. 701763 Clamping Plate FI 25 x 10 x 90
1 pc. 710266 Bolt ISO 4017 M12 x 25-8.8, galv.

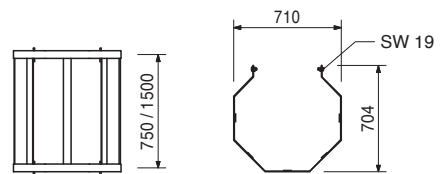


104132	15,600
051450	25,200

Ladder Safety Cages, galv.
Ladder Safety Cage 75, galv.
Ladder Safety Cage 150, galv.
Ladder safety cage for PERI access ladders.



Complete with
4 pc. 710266 Bolt ISO 4017 M12 x 25-8.8, galv.
4 pc. 701763 Clamping Plate FI 25 x 10 x 90



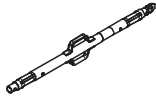
SRS Circular Column Formwork



Item no.	Weight kg
117466	10,600

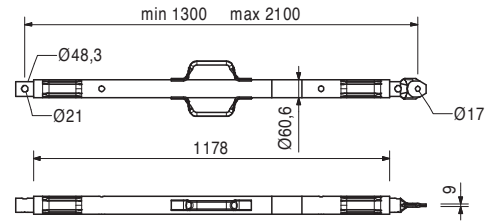
Push-Pull Prop RS 210, galv.

Extension length L = 1.30 – 2.10 m.
For aligning PERI formwork systems and precast concrete elements.



Note

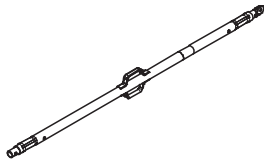
Permissible load see PERI Design Tables.



118238	12,200
--------	--------

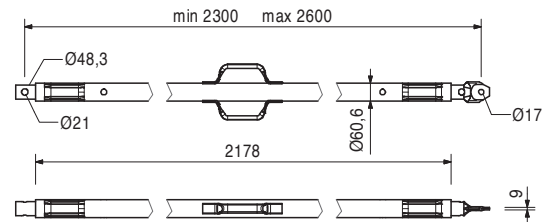
Push-Pull Prop RS 260, galv.

Extension length L = 2.30 – 2.60 m.
For aligning PERI formwork systems and precast concrete elements.



Note

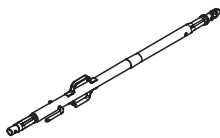
Permissible load see PERI Design Tables.



117467	15,500
--------	--------

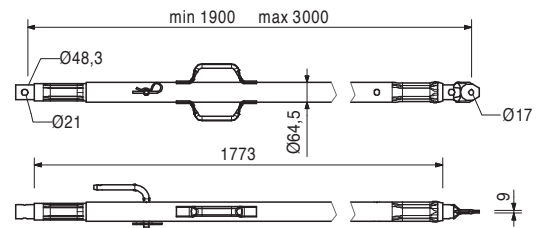
Push-Pull Prop RS 300, galv.

Extension length L = 1.90 – 3.00 m.
For aligning PERI formwork systems and precast concrete elements.



Note

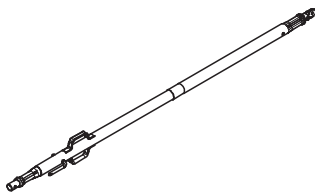
Permissible load see PERI Design Tables.



117468	23,000
--------	--------

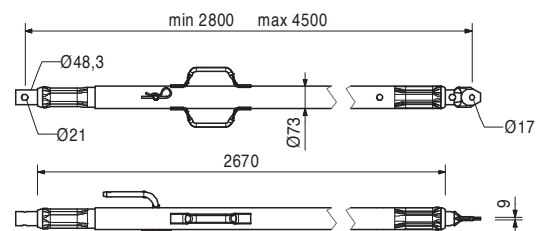
Push-Pull Prop RS 450, galv.

Extension length L = 2.80 – 4.50 m.
For aligning PERI formwork systems and precast concrete elements.



Note

Permissible load see PERI Design Tables.



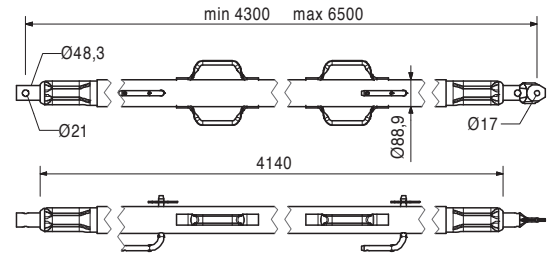
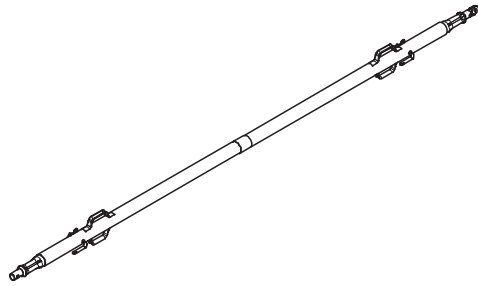
SRS Circular Column Formwork



Item no.	Weight kg
117469	40,000

Push-Pull Prop RS 650, galv.
 Extension length L = 4.30 – 6.50 m.
 For aligning PERI formwork systems and precast concrete elements.

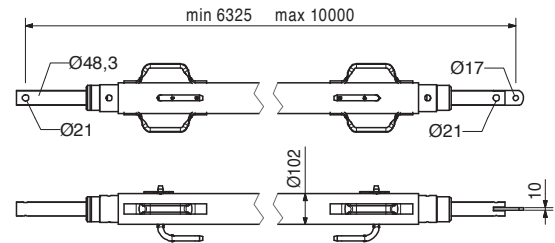
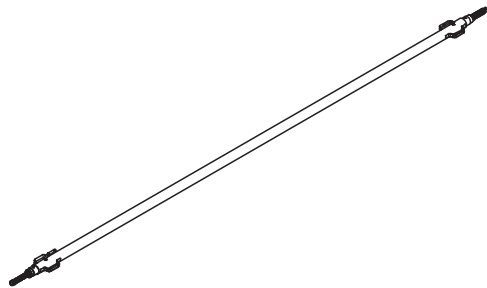
Note
 Permissible load see PERI Design Tables.



028990	115,000
--------	---------

Push-Pull Prop RS 1000, galv.
 Extension length L = 6.40 – 10.00 m.
 For aligning PERI formwork systems.

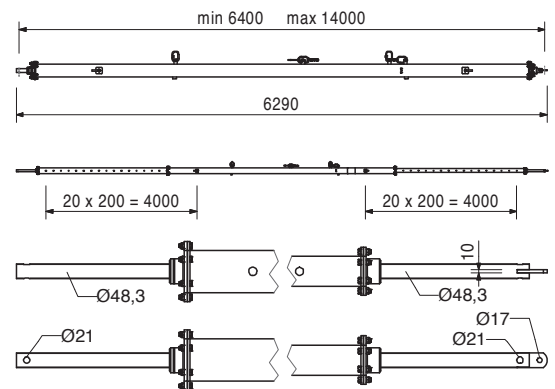
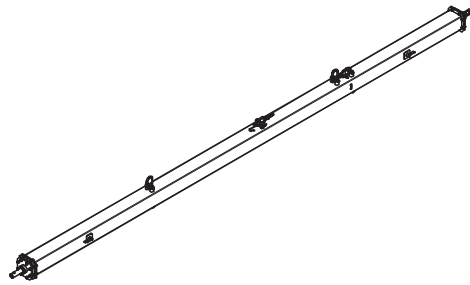
Note
 Permissible load see PERI Design Tables.



103800	271,000
--------	---------

Push-Pull Prop RS 1400, galv.
 Extension length L = 6.40 – 14.00 m.
 For aligning PERI formwork systems.

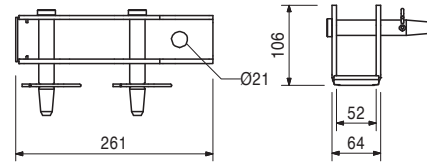
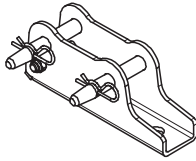
Note
 Permissible load see PERI Design Tables.
 Chain can be operated from bottom.



Item no.	Weight kg
117343	3,250

Base Plate-2 for RS 210 – 1400, galv.
 For assembly of Push-Pull Props RS 210, 260, 300, 450, 650, 1000 and 1400.

Complete with
 2 pc. 105400 Pin Ø 20 x 140, galv.
 2 pc. 018060 Cotter Pin 4/1, galv.



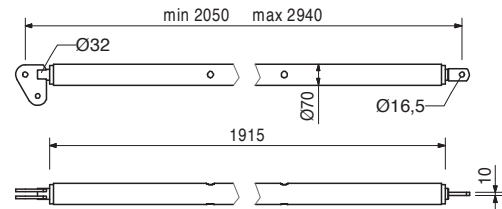
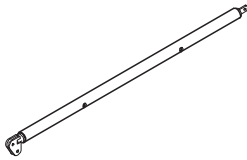
Item no.	Weight kg
124777	0,210

Accessories
Anchor Bolt PERI 14/20 x 130

Item no.	Weight kg
028010	17,900

Push-Pull Prop RSS I
 Extension length L = 2.05 – 2.94 m.
 For aligning PERI formwork systems.

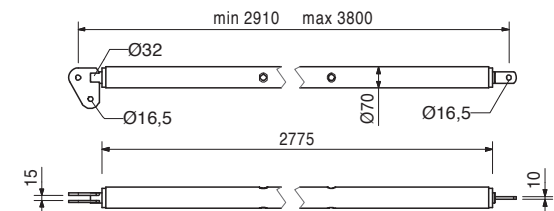
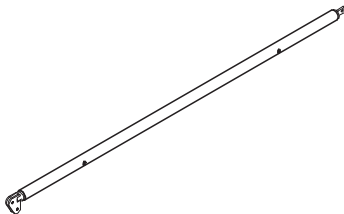
Note
 Permissible load see PERI Design Tables.



Item no.	Weight kg
028020	22,000

Push-Pull Prop RSS II
 Extension length L = 2.91 – 3.80 m.
 For aligning PERI formwork systems.

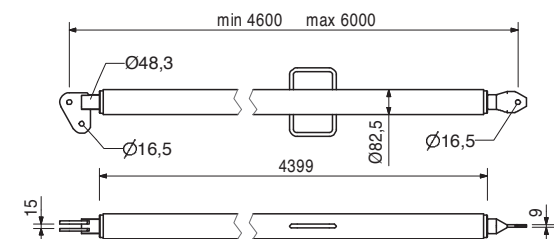
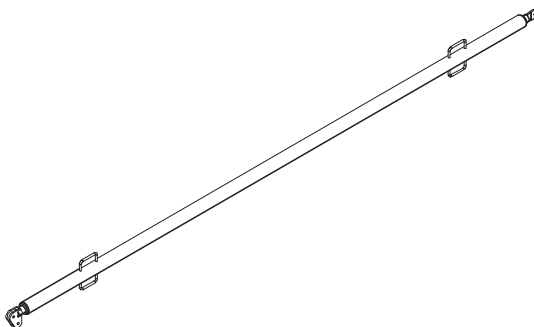
Note
 Permissible load see PERI Design Tables.



Item no.	Weight kg
028030	38,400

Push-Pull Prop RSS III
 Extension length L = 4.60 – 6.00 m.
 For aligning PERI formwork systems.

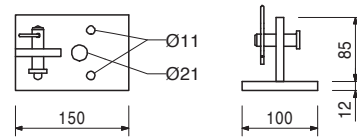
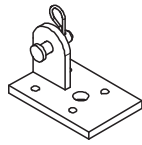
Note
 Permissible load see PERI Design Tables.



Item no.	Weight kg
106000	1,820

Base Plate-2 for RSS, galv.
For assembly of RSS Push-Pull Props.

Complete with
1 pc. 027170 Pin \varnothing 16 x 42, galv.
1 pc. 018060 Cotter Pin 4/1, galv.



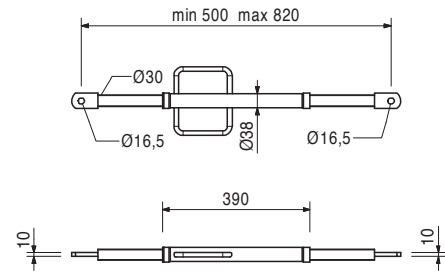
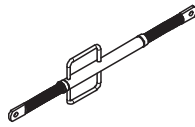
124777	0,210
--------	-------

Accessories
Anchor Bolt PERI 14/20 x 130

123846	3,590
--------	-------

Kicker AV 82
Extension length L = 0.50 – 0.82 m.
For aligning PERI formwork systems.

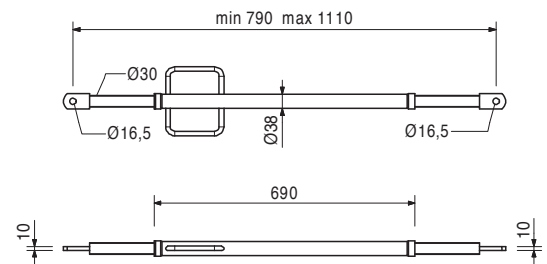
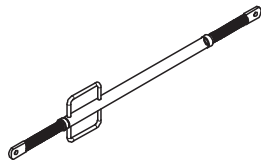
Note
Permissible load see PERI Design Tables.



123847	4,280
--------	-------

Kicker AV 111
Extension length L = 0.79 – 1.11 m.
For aligning PERI formwork systems.

Note
Permissible load see PERI Design Tables.

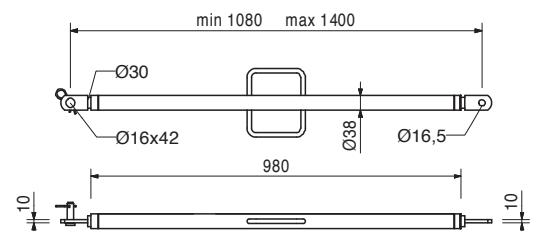
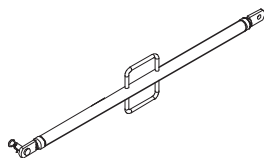


028110	5,180
--------	-------

Kicker AV 140
Extension length L = 1.08 – 1.40 m.
For aligning PERI formwork systems.

Complete with
1 pc. 027170 Pin \varnothing 16 x 42, galv.
1 pc. 018060 Cotter Pin 4/1, galv.

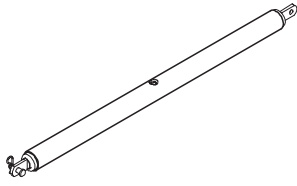
Note
Permissible load see PERI Design Tables.



Item no.	Weight kg
108135	12,900

Kicker AV 210

Extension length L = 1.28 – 2.10 m.
For aligning PERI formwork systems.

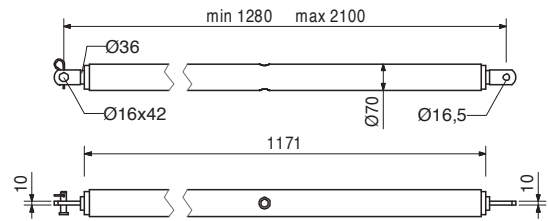


Complete with

1 pc. 027170 Pin Ø 16 x 42, galv.
1 pc. 018060 Cotter Pin 4/1, galv.

Note

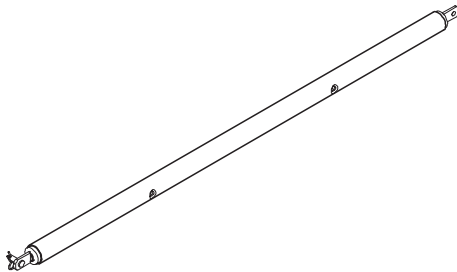
Permissible load see PERI Design Tables.



028120	17,000
--------	--------

Kicker AV RSS III

Extension length L = 2.03 – 2.92 m.
For aligning PERI formwork systems.

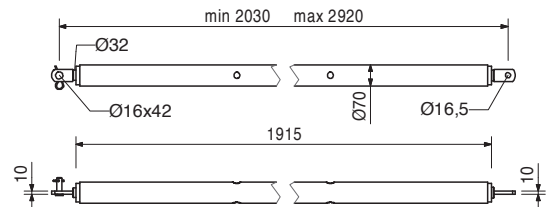


Complete with

1 pc. 027170 Pin Ø 16 x 42, galv.
1 pc. 018060 Cotter Pin 4/1, galv.

Note

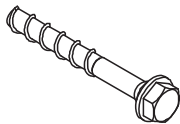
Permissible load see PERI Design Tables.



124777	0,210
--------	-------

Anchor Bolt PERI 14/20 x 130

For temporary fixation to reinforced concrete structures.

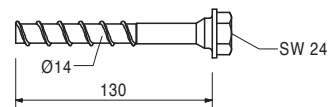


Note

Wrench size SW 24.
Drilling Ø 14 mm.

Technical Data

See PERI data sheet!



The optimal System for every Project and every Requirement



Wall Formwork



Column Formwork



Slab Formwork



Climbing Systems



Tunnel Formwork



Bridge Formwork



Shoring Systems



Construction Scaffold



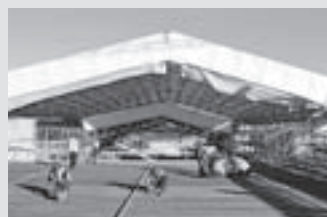
Facade Scaffold



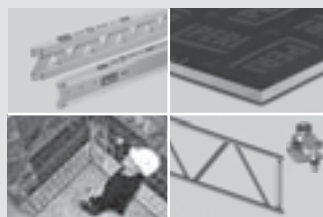
Industrial Scaffold



Access



Protection Scaffold



System-Independent Accessories



Services



PERI GmbH
Formwork Scaffolding Engineering
 Rudolf-Diesel-Strasse 19
 89264 Weissenhorn
 Germany
 Tel. +49 (0)7309.950-0
 Fax +49 (0)7309.951-0
 info@peri.com
 www.peri.com