

# GRIDFLEX

The flexible slab formwork  
with safe accessible grid elements

Product Brochure – Edition 06/2017



# Content

|   |  |                            |
|---|--|----------------------------|
| <b>GRIDFLEX</b>   |  | <b>Components overview</b> |
| 4 The flexible slab formwork with safely accessible grid elements |  | <b>GRIDFLEX</b>            |
|   |  | 12 Components              |
| <b>System advantages</b>  |  |                            |
| 6 Safe shuttering procedure                                       |  |                            |
| 8 Simple working operations                                       |  |                            |
| 10 Filler areas are quickly closed                                |  |                            |

**Edition 06/2017**

**Publisher**

**PERI GmbH**  
**Formwork Scaffolding Engineering**  
Rudolf-Diesel-Strasse 19  
89264 Weissenhorn  
Germany  
Tel. +49 (0)7309.950-0  
Fax +49 (0)7309.951-0  
info@peri.com  
www.peri.com

### **Important notes**

All current safety regulations and guidelines applicable in those countries where our products are used must be observed.

The photos shown in this brochure feature construction sites in progress. For this reason, safety and anchor details in particular cannot always be considered as conclusive or final. These are subject to the risk assessment carried out by the contractor.

In addition, computer graphics are used which are to be understood as system representations. For ensuring a better understanding, these and the detailed illustrations shown have been

partially reduced to show certain aspects.

The safety installations which have possibly not been shown in these detailed descriptions must nevertheless be available. The systems or items shown might not be available in every country.

Safety instructions and load specifications are to be strictly observed at all times. Separate structural calculations are required for any deviations from the standard design data.

The information contained herein is subject to technical changes in the interests of progress. Errors and typographical mistakes reserved.

## GRIDFLEX Grid Element Slab Formwork

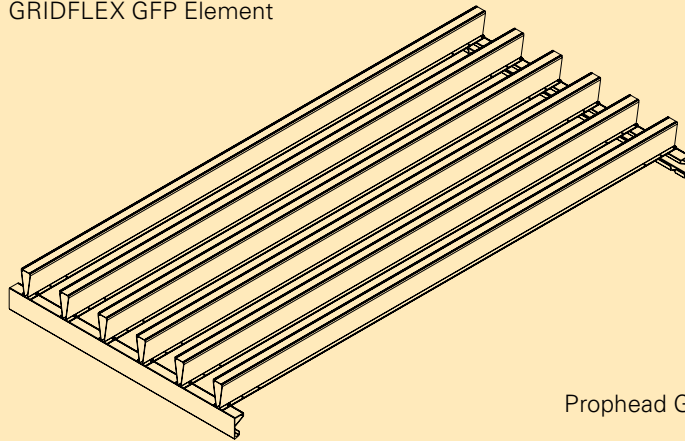
The flexible slab formwork with safely accessible grid elements

The lightweight GRIDFLEX Slab Formwork is used for constructing residential and multi-storey buildings. Slab thicknesses up to 33 cm can be realized with the formwork. In order to concrete slabs up to 67 cm thick, the panels have to be additionally supported in the centre. The standard panel weighs only 20 kg and is swivelled upwards from the assembly area by means of the shuttering aid. Slab props are subsequently hooked in and vertically aligned. On the now accessible girder grid, the formlining of choice can be installed. The recurring systematic assembly sequence ensures fast working operations.

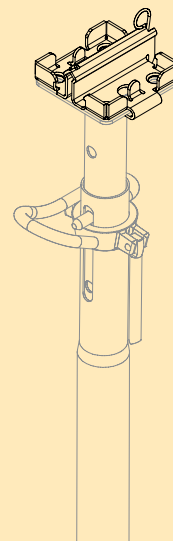
### Only 2 system components

required for placing the girder grid in a standard bay

GRIDFLEX GFP Element



Prophead GFH



### Safe shuttering procedure

by swivelling the panels upwards with site personnel positioned on the slab below

### Simple working operations

through a systematic assembly sequence with only one standard and two compensation panels

### Filler areas are quickly closed

through a simple change of direction of the panels along with the use of transverse and longitudinal infills

## Assembly

Hook in the GRIDFLEX element from below, ...



... align horizontally with the shuttering aid, then attach the slab prop and position vertically.



Following this, install formlining of choice on the safely accessible girder grid.

## Certified many times



## Safe shuttering procedure

Panels are swivelled upwards with site personnel positioned safely on the slab below

The special feature of the GRIDFLEX is the high level of safety requirements which extends throughout the entire sequence of operations. Initially, the system is securely fixed to the building in both longitudinal and transverse directions using the Wall Holder. This means that the system is securely held in position during the systematic shuttering procedure that follows.



### Safe shuttering operations from the level below

The girder grid elements are simply swivelled upwards into position by means of the shuttering aid. Subsequently, the slab prop with Prophead is hooked into the panel and vertically positioned. The same systematic assembly sequence each time prevents any mistakes during forming.

### Safety through guardrails installed on the building edges

The Guardrail GF 100 is pre-assembled on the ground and then swivelled upwards into position together with the panel. Bracing must be installed in order to ensure that the panel can be safely pushed upwards and secured throughout forming operations.



**Safely accessible area for installing the formlining**

The small beam spacing of only 13 cm provides a safe working area for site personnel to install the formlining.

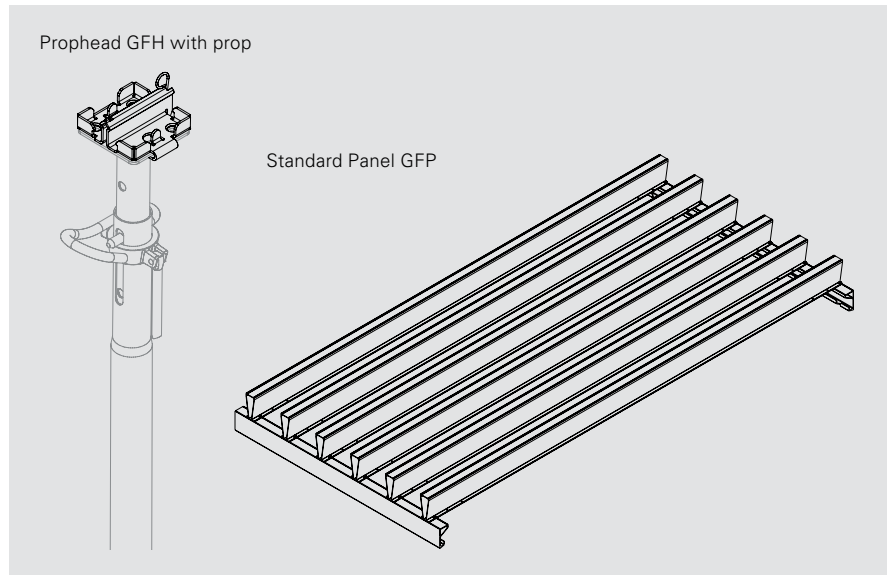


## Simple working operations

A systematic assembly sequence with only one standard and two compensation elements

### A minimum of system components

The standard bay is formed using only two main components: the Standard Panel and GRIDFLEX Prophead. This simplifies forming operations and the entire logistics. The regular unchanging assembly sequence results in considerable time savings along with a high level of safety for site personnel.



### Systematic installation

GRIDFLEX elements are safely hooked in from below and pushed upwards into position by means of the shuttering aid. Setting up and measuring of props is no longer necessary which means work is accelerated and mistakes are avoided. Furthermore, untrained personnel can quickly learn how to handle the system.

The standard bay has an area of 2 m<sup>2</sup> and requires only one slab prop whilst the prop loads are very low. With a slab thickness of up to 33 cm, work can be carried out using inexpensive steel tube slab props.



GRIDFLEX is optimized for PEP / PEP Ergo Slab Props. In the case of the standard slab thicknesses (up to 33 cm) used in residential construction, 0.5 props per m<sup>2</sup> of slab area are sufficient.



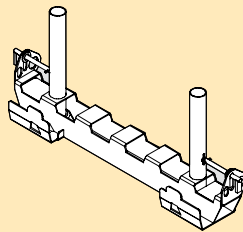


**Ergonomic assembly with low individual weights**

GRIDFLEX system components are particularly light and can be easily moved by hand. The 200 cm x 100 cm standard panel only weighs 20 kg/m.

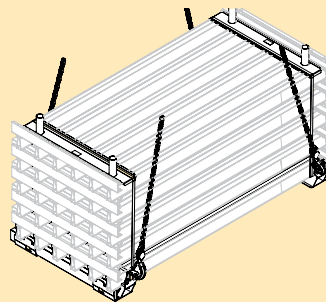
**Well thought-out details regarding storage and transportation**

With the space-saving Stacking Device GF, GRIDFLEX panels can be stacked, stored and transported very compactly. For safe transportation and protection of the panels, the lashing is placed over the Tension Strap Rail GF.



**Stacking Device GF**

For separate stacking of the 3 panel types:  
Standard Panel GFP 200 x 100  
Filler Panel Cross GFC 200 x 100  
Filler Panel Longitudinal GFL 150 x 100.



**Tension Strap Rail GF 92**

For Standard Panels GFP 200 x 100 and Filler Panels GFL 150 x 100.

**Tension Strap Rail GF 125**

For Filler Panels GFC 200 x 100.

**Time-saving design**

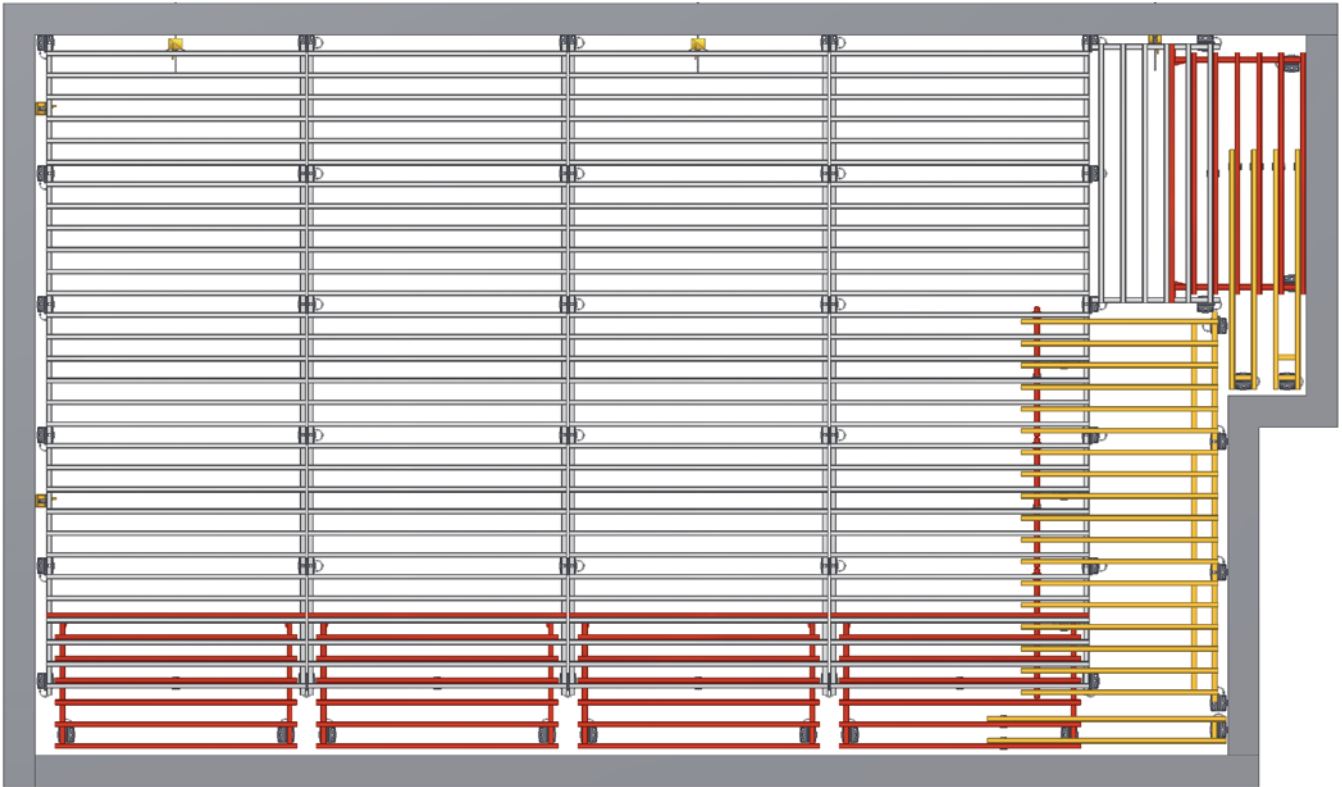
The spring mechanism secures the Prophead to the slab prop. In so doing, the Prophead is attached to the end plate of the slab prop without the need of pins or screws. The slab props can therefore be changed extremely quickly, e.g. to accommodate different slab heights.



A minimum of time and effort:  
Mounting of the Prophead GFH on the slab prop.

## Filler areas are quickly closed

Simple change of direction, use of longitudinal and transverse infills



A system slab formwork must offer the corresponding flexibility in order to be able to adapt to different floor ground plans. GRIDFLEX provides this flexibility

through a change in the shuttering direction as well as corresponding filler panels.

### Changing direction

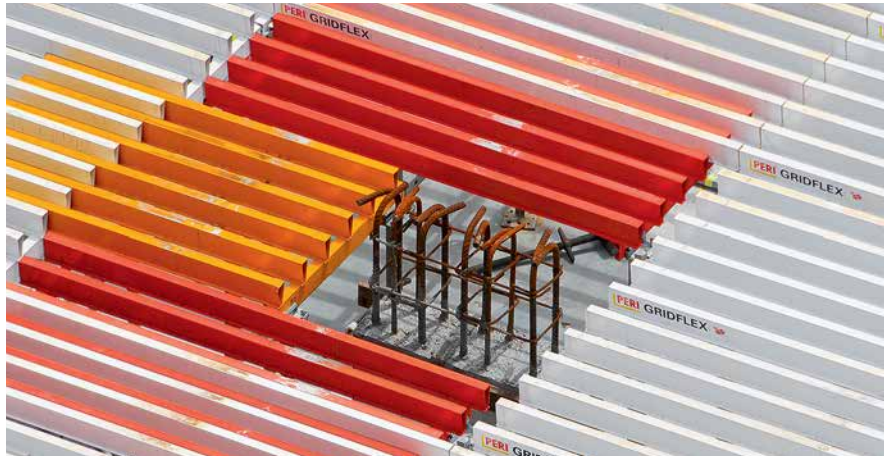
The direction of the GRIDFLEX panels can be changed as required by 90° so that the standard panels can be used for the largest possible area. In this way, filler areas are reduced to a minimum whereby savings are made regarding panel and prop utilization. Also when the direction has been changed, forming continues to take place as before from the ground.



### Filler areas are quickly shuttered

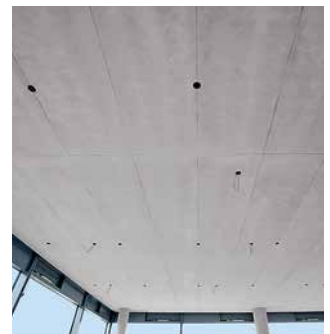
In order to close any remaining filler areas, GRIDFLEX offers the corresponding longitudinal and transverse filler panels. The elements must be installed with an overlap to the standard panels. In this way, filler areas can be easily closed in longitudinal as well as in transverse directions whereby columns under construction can also be accommodated.

For ensuring easy handling, GRIDFLEX elements are colour-coded: Standard Panels are white, Filler Panels Longitudinal are red and Filler Panels Cross are yellow. This simplifies both forming operations and logistics.



### Free choice of plywood sheet

The type of formlining can be freely selected depending upon requirements so that a wide range of requirements regarding the slab underside can be met. Individual plywood sheets are fixed directly with nails to the GRIDFLEX panels.

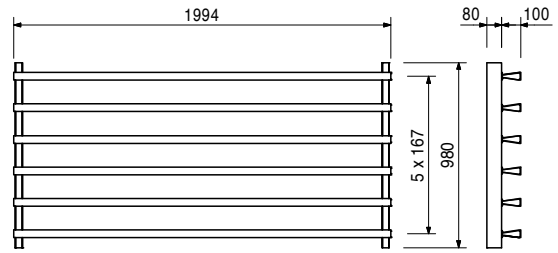
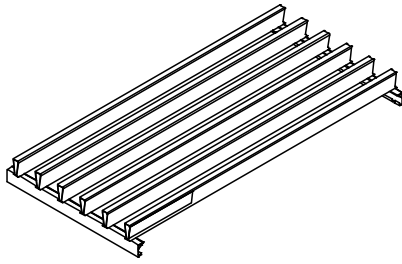


# GRIDFLEX Grid Element Slab Formwork



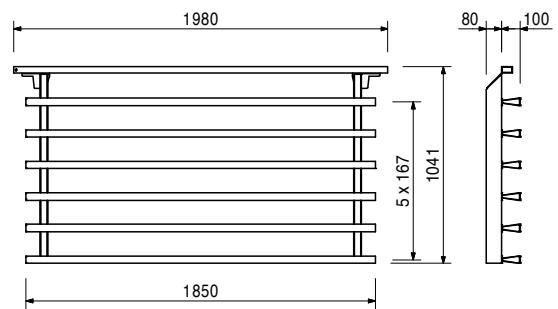
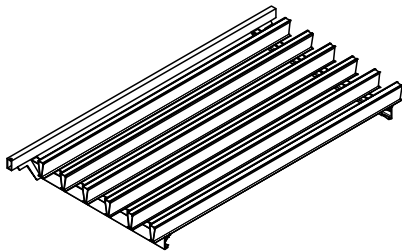
| Item no. | Weight kg |
|----------|-----------|
| 110038   | 20.300    |

**Standard Element GFP 200 x 100**  
Aluminium, nailable, white powder-coated.



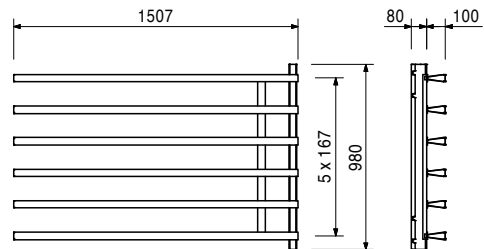
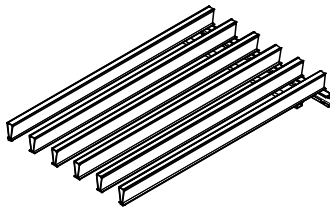
|        |        |
|--------|--------|
| 110040 | 22.100 |
|--------|--------|

**Filler Element Cross GFC 200 x 100**  
Aluminium, nailable, red powder-coated.



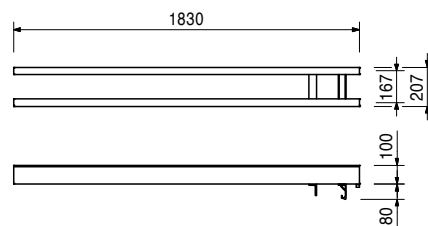
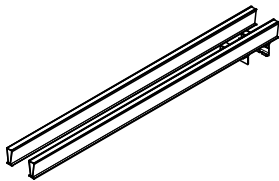
|        |        |
|--------|--------|
| 110486 | 15.000 |
|--------|--------|

**Filler Element Longitudinal GFL 150 x 100**  
Aluminium, nailable, yellow powder-coated.



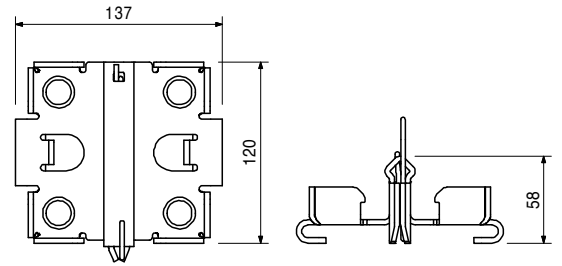
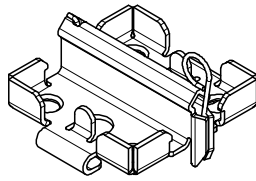
|        |       |
|--------|-------|
| 110646 | 5.800 |
|--------|-------|

**Filler Element Longitudinal GFL 183 x 20**  
Aluminium, nailable yellow powder-coated.



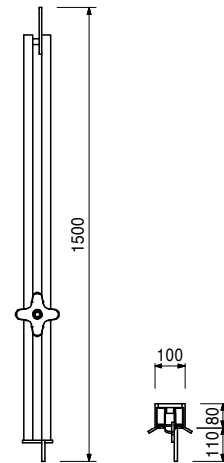
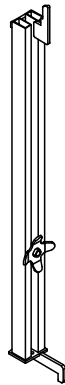
| Item no. | Weight kg |
|----------|-----------|
| 109910   | 0.845     |

**Prophead GFH, galv.**  
With spring retention. Supports GRIDFLEX elements.



|        |       |
|--------|-------|
| 110238 | 4.880 |
|--------|-------|

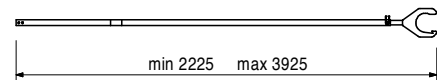
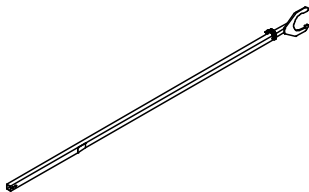
**Wall Holder GFW**  
For horizontal anchoring of the formwork on the wall.



|        |       |
|--------|-------|
| 110044 | 2.340 |
|--------|-------|

**Shuttering Aid GFA**  
For forming of GRIDFLEX.

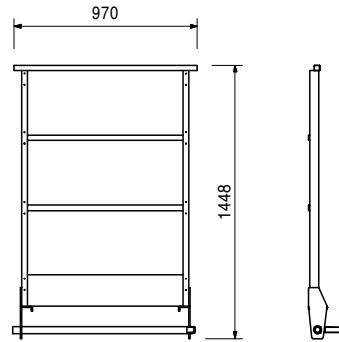
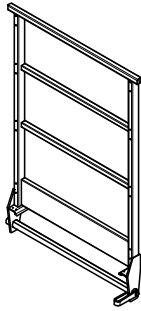
**Technical Data**  
Adjustable in 7.5-cm-increments.



| Item no. | Weight kg |
|----------|-----------|
| 110326   | 7.150     |

## Guardrail GF 100

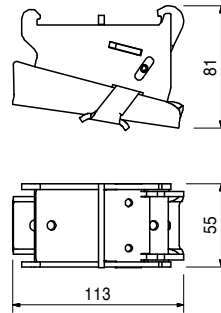
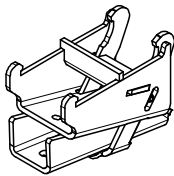
As guardrail for cantilevers. Guardrail height above top edge of plywood = 1.30 m.



|        |       |
|--------|-------|
| 110556 | 0.690 |
|--------|-------|

## Clamp GFK, galv.

For attaching filler panels to the standard elements.



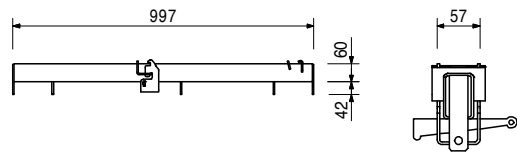
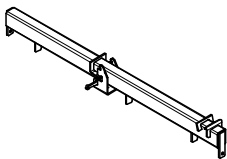
|        |       |
|--------|-------|
| 110045 | 5.120 |
|--------|-------|

## Traverse GFT

With securing wedge for fixing to the main beam of the element.

### Note

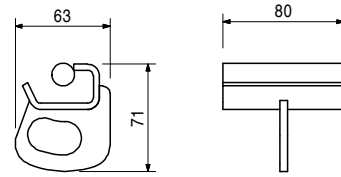
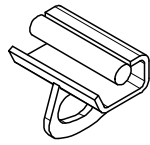
For assembly of length compensation, with props as centre support and support for cantilever elements on the slab edge.



| Item no. | Weight kg |
|----------|-----------|
| 110595   | 0.411     |

**Tension Sleeve GFO**  
For bracing cantilevered elements.

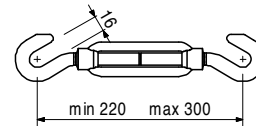
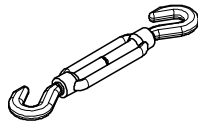
**Technical Data**  
Permissible tension force 3.0 kN.



|        |       |
|--------|-------|
| 065074 | 0.450 |
|--------|-------|

**Turnbuckle 3.0 kN, M12**

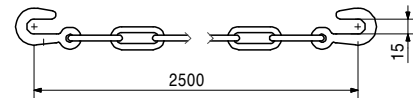
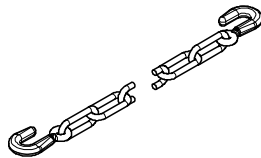
**Technical Data**  
Permissible tension force 3.0 kN.



|        |       |
|--------|-------|
| 065073 | 1.370 |
|--------|-------|

**Anchor Chain 3.0 kN, l = 2.5 m**

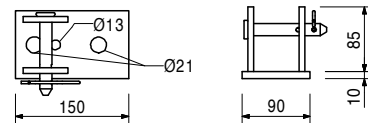
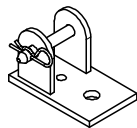
**Technical Data**  
Permissible tension force 3.0 kN.



|        |       |
|--------|-------|
| 028100 | 1.830 |
|--------|-------|

**Base Plate for RS**  
For assembly of RS Push-Pull Props.

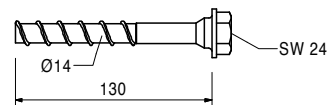
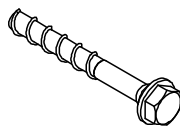
**Complete with**  
1 pc. 018050 Pin  $\varnothing$  16 x 65/86, galv.  
1 pc. 018060 Cotter Pin 4/1, galv.



|        |       |
|--------|-------|
| 124777 | 0.210 |
|--------|-------|

**Anchor Bolt PERI 14/20 x 130**  
For temporary fixation to reinforced concrete structures.

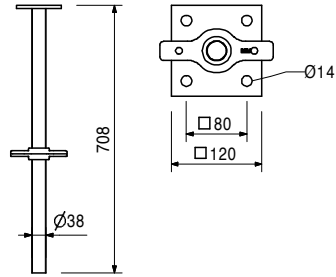
**Note**  
See PERI data sheet!  
Drilling  $\varnothing$  14 mm.



| Item no. | Weight kg |
|----------|-----------|
| 111291   | 4.690     |

## Head Spindle GTR 38-70/50

For using GRIDFLEX in combination with PERI UP shoring.



|        |        |
|--------|--------|
| 110939 | 21.700 |
|--------|--------|

## Stacking Device GF, galv.

For stacking 10 Standard Elements GFP 200 x 100, Filler Elements Cross GFC 200 x 100 or Filler Elements Longitudinal GFL 150 x 100 respectively. Suitable for crane and fork-lift transport. 2 pieces per stack.

### Complete with

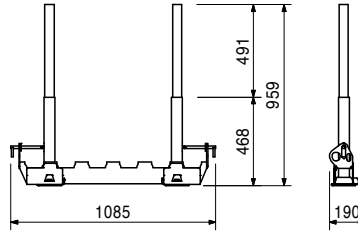
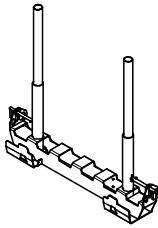
2 pc. 111392 Extension GF 10

### Note

Follow Instructions for Use!

### Technical Data

Permissible load-bearing capacity  
 = 175 kg per device  
 = 350 kg per stacking



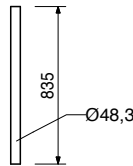
Accessories

|        |       |
|--------|-------|
| 115427 | 2.090 |
| 115385 | 4.230 |

## Tension Strap Rail GF 92 Tension Strap Rail GF 125

|        |       |
|--------|-------|
| 111392 | 2.970 |
|--------|-------|

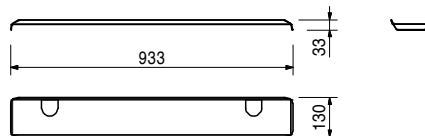
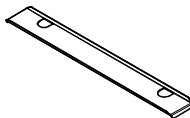
## Extension GF 10



|        |       |
|--------|-------|
| 115427 | 2.090 |
|--------|-------|

## Tension Strap Rail GF 92

As transport protection for GRIDFLEX Elements GFP 200 x 100 and GFL 150 x 100. Yellow powder-coated.





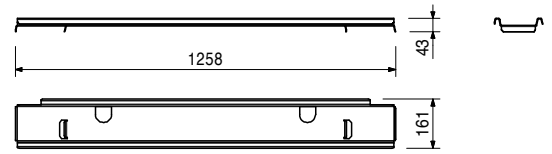
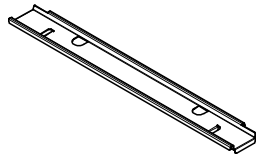
# GRIDFLEX Grid Element Slab Formwork



| Item no. | Weight kg |
|----------|-----------|
| 115385   | 4.230     |

## Tension Strap Rail GF 125

As transport protection for GRIDFLEX Elements GFC 200 x 100. Red powder-coated.



|        |        |
|--------|--------|
| 111396 | 28.100 |
|--------|--------|

## Pallet RP 80 x 110, galv.

For stacking GF 100 guardrails.

### Complete with

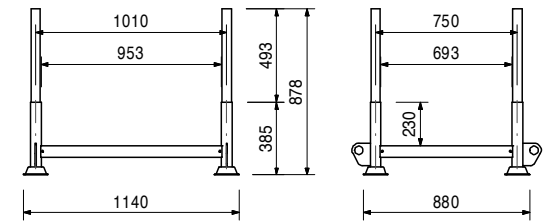
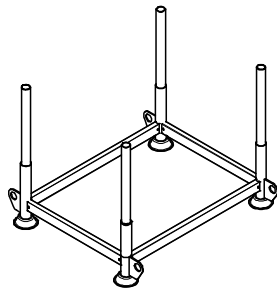
4 pc. 111392 Extension GF 10

### Note

Follow Instructions for Use!

### Technical Data

Permissible load-bearing capacity 500 kg.



|        |        |
|--------|--------|
| 111738 | 63.900 |
|--------|--------|

## Pallet GF 85 x 210, galv.

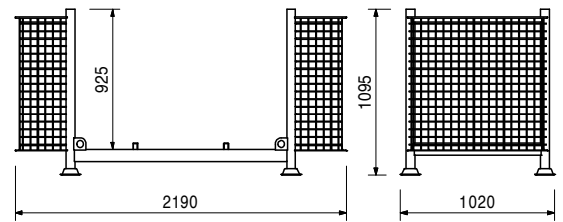
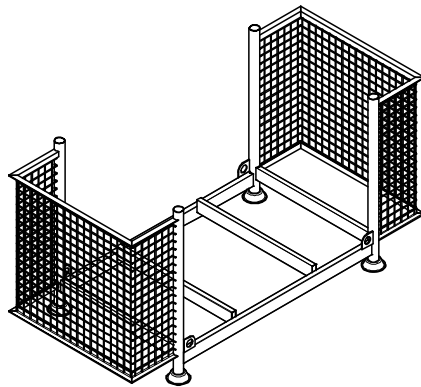
For stacking and transportation of GRIDFLEX Filler Panel GFL 183 x 20.

### Note

Follow Instructions for Use!

### Technical Data

Permissible load-bearing capacity 750 kg.



| Item no. | Weight kg |
|----------|-----------|
| 111566   | 106.000   |

## Platform GIP 200, complete

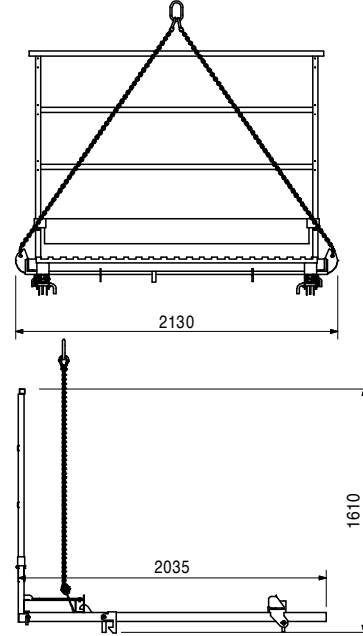
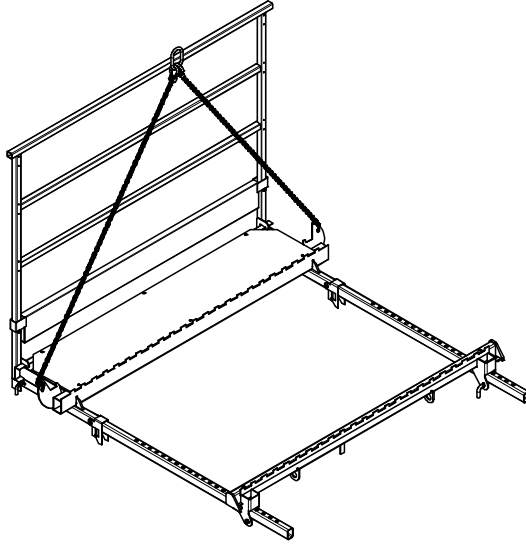
Platform with 12 mm thick decking and insertable guardrail. Delivered as individual components.

## Complete with

- 1 pc. 111703 Platform Frame GIP 200
- 1 pc. 111700 Platform Handrail GIP 200
- 2 pc. 111702 Main Beam GIP 200
- 1 pc. 111701 Cross Beam GIP 200

## Technical Data

Permissible load 150 kg/m<sup>2</sup>.



|        |         |
|--------|---------|
| 111379 | 265.000 |
|--------|---------|

## Corner Platform GCP, complete

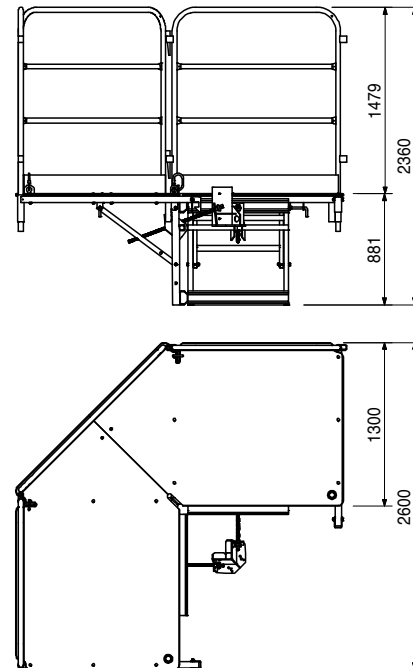
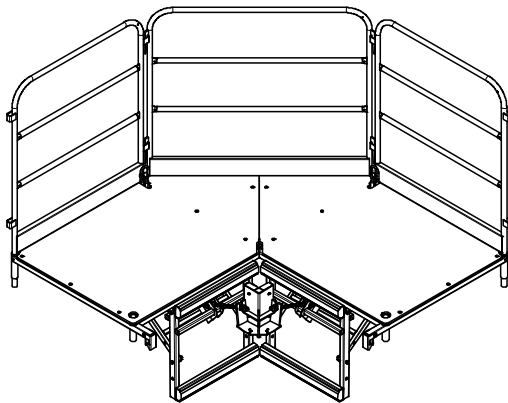
Platform with 21 mm thick decking and insertable guardrail. Delivered as individual components.

## Complete with

- 1 pc. 111378 Corner Platform GCP
- 2 pc. 111332 Handrail GCP 130, galv.
- 1 pc. 111340 Handrail GCP 160, galv.
- 1 pc. 111324 Internal Angle GCP

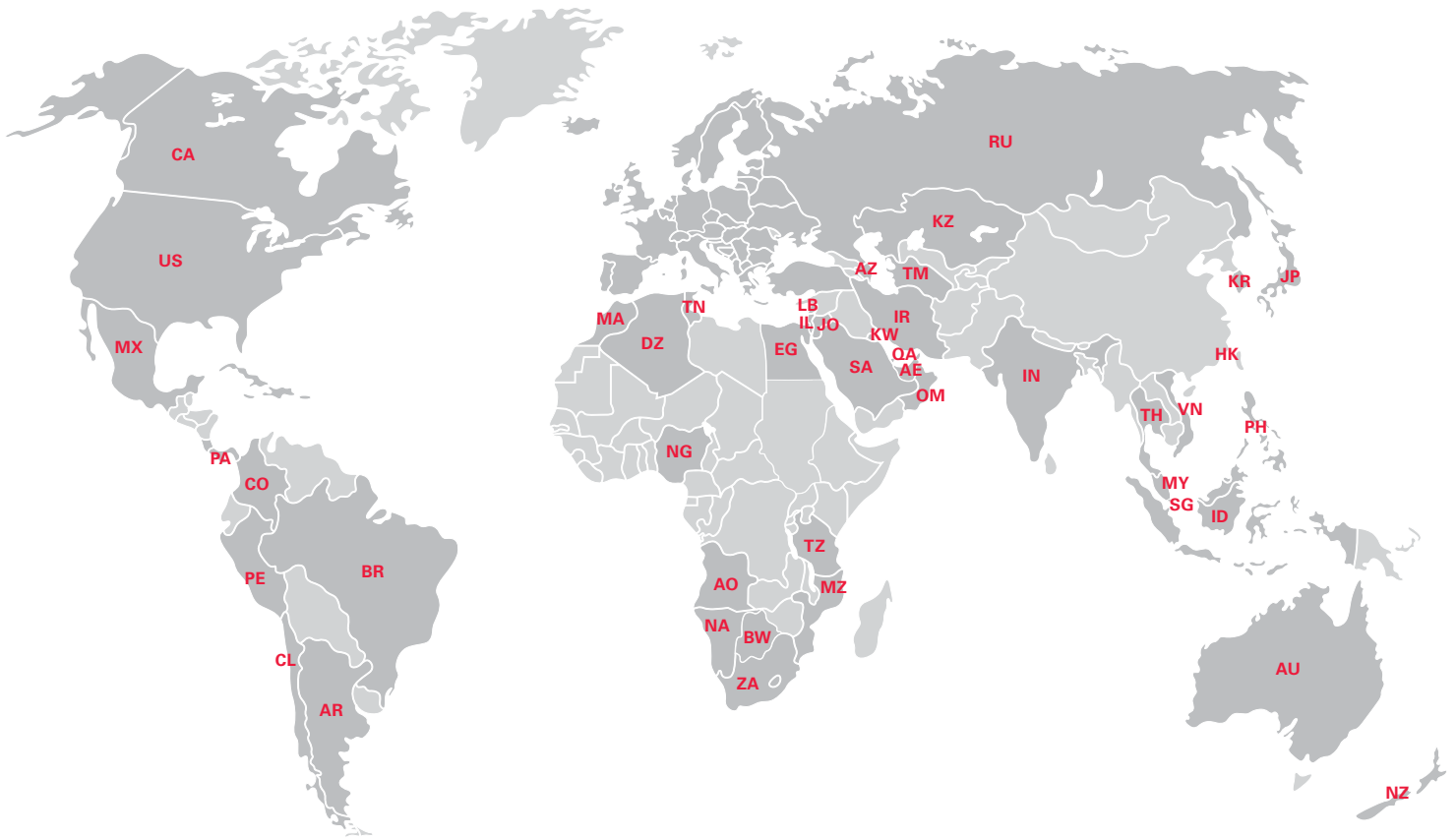
## Technical Data

Permissible live load 150 kg/m<sup>2</sup>.





# PERI International



## North America

- CA** Canada  
PERI Formwork Systems, Inc.  
[www.peri.ca](http://www.peri.ca)
- MX** Mexico  
PERI Cimbras y Andamios, S.A. de C.V.  
[www.peri.com.mx](http://www.peri.com.mx)
- PA** Panama  
PERI Panama Inc.  
[www.peri.com.pa](http://www.peri.com.pa)
- US** USA  
PERI Formwork Systems, Inc.  
[www.peri-usa.com](http://www.peri-usa.com)

## South America

- AR** Argentina  
PERI S.A.  
[www.peri.com.ar](http://www.peri.com.ar)
- BR** Brazil  
PERI Formas e Escoramentos Ltda.  
[www.peribrasil.com.br](http://www.peribrasil.com.br)
- CL** Chile  
PERI Chile Ltda.  
[www.peri.cl](http://www.peri.cl)
- CO** Colombia  
PERI S.A.S.  
[www.peri.com.co](http://www.peri.com.co)
- PE** Peru  
PERI Peruana S.A.C.  
[www.peri.com.pe](http://www.peri.com.pe)

## Africa

- AO** Angola  
Pericofragens, Lda.  
[www.peri.pt](http://www.peri.pt)
- DZ** Algeria  
S.A.R.L. PERI  
[www.peri.dz](http://www.peri.dz)
- BW** Botswana  
PERI (Proprietary) Limited  
[www.peri.co.bw](http://www.peri.co.bw)
- EG** Egypt  
Egypt Branch Office  
[www.peri.com.eg](http://www.peri.com.eg)
- MA** Morocco  
PERI S.A.  
[www.peri.ma](http://www.peri.ma)
- MZ** Mozambique  
PERI (Pty.) Ltd.  
[www.peri.co.mz](http://www.peri.co.mz)
- NA** Namibia  
PERI (Pty.) Ltd.  
[www.peri.na](http://www.peri.na)
- NG** Nigeria  
PERI Nigeria Ltd.  
[www.peri.ng](http://www.peri.ng)
- TN** Tunisia  
PERI S.A.U.  
[www.peri.es](http://www.peri.es)
- TZ** Tanzania  
PERI Formwork and Scaffolding Ltd  
[www.peri.co.tz](http://www.peri.co.tz)
- ZA** South Africa  
PERI Formwork Scaffolding (Pty) Ltd  
[www.peri.co.za](http://www.peri.co.za)

## Asia

- AE** United Arab Emirates  
PERI (L.L.C.)  
[www.peri.ae](http://www.peri.ae)
- AZ** Azerbaijan  
PERI Representative Office  
[www.peri.com.tr](http://www.peri.com.tr)
- HK** Hong Kong  
PERI (Hong Kong) Limited  
[www.perihk.com](http://www.perihk.com)
- ID** Indonesia  
PT Beton Perkasa Wijaksana  
[www.betonperkasa.com](http://www.betonperkasa.com)
- IL** Israel  
PERI F.E. Ltd.  
[www.peri.co.il](http://www.peri.co.il)
- IN** India  
PERI (India) Pvt Ltd  
[www.peri.in](http://www.peri.in)
- IR** Iran  
PERI Pars. Ltd.  
[www.peri.ir](http://www.peri.ir)
- JO** Jordan  
PERI GmbH – Jordan  
[www.peri.com](http://www.peri.com)
- JP** Japan  
PERI Japan K.K.  
[www.peri.co.jp](http://www.peri.co.jp)
- KR** Korea  
PERI (Korea) Ltd.  
[www.perikorea.com](http://www.perikorea.com)
- KW** Kuwait  
PERI Kuwait W.L.L.  
[www.peri.com.kw](http://www.peri.com.kw)
- KZ** Kazakhstan  
TOO PERI Kazakhstan  
[www.peri.kz](http://www.peri.kz)
- LB** Lebanon  
PERI Lebanon Sarl  
[lebanon@peri.de](mailto:lebanon@peri.de)
- MY** Malaysia  
PERI Formwork Malaysia Sdn. Bhd.  
[www.perimalaysia.com](http://www.perimalaysia.com)
- OM** Oman  
PERI (L.L.C.)  
[www.peri.ae](http://www.peri.ae)
- PH** Philippines  
PERI-Asia Philippines, INC.  
[www.peri.com.ph](http://www.peri.com.ph)
- QA** Qatar  
PERI Qatar LLC  
[www.peri.qa](http://www.peri.qa)
- SA** Saudi Arabia  
PERI Saudi Arabia Ltd.  
[www.peri.com.sa](http://www.peri.com.sa)
- SG** Singapore  
PERI Asia Pte Ltd  
[www.periasia.com](http://www.periasia.com)
- TM** Turkmenistan  
PERI Kalıp ve İşkeleleri  
[www.peri.com.tr](http://www.peri.com.tr)
- TH** Thailand  
Peri (Thailand) Co., Ltd.  
[www.peri.co.th](http://www.peri.co.th)
- VN** Vietnam  
PERI ASIA PTE LTD  
[www.peri.com.vn](http://www.peri.com.vn)

**PERI**

**PERI GmbH**  
**Formwork Scaffolding Engineering**  
Rudolf-Diesel-Strasse 19  
89264 Weissenhorn  
Germany  
Tel. +49 (0)7309.950-0  
Fax +49 (0)7309.951-0  
info@peri.com  
www.peri.com



## Oceania

**AU** Australia  
PERI Australia Pty. Ltd.  
www.periaus.com.au

**NZ** New Zealand  
PERI Australia Pty. Limited  
www.peri.co.nz

## Europe

**AL** Albania  
PERI Kalıp ve İskeleleri  
www.peri.com.tr

**AT** Austria  
PERI Ges.mbH  
www.peri.at

**BA** Bosnia and Herzegovina  
PERI oplate i skele d.o.o  
www.peri.com.hr

**BE** Belgium  
N.V. PERI S.A.  
www.peri.be

**BG** Bulgaria  
PERI Bulgaria EOOD  
www.peri.bg

**BY** Belorussia  
IOOO PERI  
www.peri.by

**CH** Switzerland  
PERI AG  
www.peri.ch

**CZ** Czech Republic  
PERI spol. s r.o.  
www.peri.cz

**DE** Germany  
PERI GmbH  
www.peri.de

**DK** Denmark  
PERI Danmark A/S  
www.peri.dk

**EE** Estonia  
PERI AS  
www.peri.ee

**ES** Spain  
PERI S.A.U.  
www.peri.es

**FI** Finland  
PERI Suomi Ltd. Oy  
www.perisuomi.fi

**FR** France  
PERI S.A.S.  
www.peri.fr

**GB** United Kingdom  
PERI Ltd.  
www.peri.ltd.uk

**GR** Greece  
PERI Hellas Ltd.  
www.perihellas.gr

**HR** Croatia  
PERI oplate i skele d.o.o.  
www.peri.com.hr

**HU** Hungary  
PERI Kft.  
www.peri.hu

**IR** Ireland  
Siteserv Access & Formwork  
www.siteservaccess.ie

**IS** Iceland  
Armar ehf.  
www.armor.is

**IT** Italy  
PERI S.r.l.  
www.peri.it

**LT** Lithuania  
PERI UAB  
www.peri.lt

**LU** Luxembourg  
N.V. PERI S.A.  
www.peri.lu

**LV** Latvia  
PERI SIA  
www.peri-latvija.lv

**NL** Netherlands  
PERI B.V.  
www.peri.nl

**NO** Norway  
PERI Norge AS  
www.peri.no

**PL** Poland  
PERI Polska Sp. z o.o.  
www.peri.com.pl

**PT** Portugal  
Pericofragens Lda.  
www.peri.pt

**RO** Romania  
PERI România SRL  
www.peri.ro

**RS** Serbia  
PERI oplate d.o.o.  
www.peri.rs

**RU** Russia  
OOO PERI  
www.peri.ru

**SE** Sweden  
PERI Sverige AB  
www.peri.se

**SI** Slovenia  
PERI oplate i skele d.o.o  
www.peri.com.hr

**SK** Slovakia  
PERI spol. s r.o.  
www.peri.sk

**TR** Turkey  
PERI Kalıp ve İskeleleri  
www.peri.com.tr

**UA** Ukraine  
TOW PERI  
www.peri.ua

**The optimal System  
for every Project and  
every Requirement**



**Wall Formwork**



**Column Formwork**



**Slab Formwork**



**Climbing Systems**



**Bridge Formwork**



**Tunnel Formwork**



**Shoring Systems**



**Construction Scaffold**



**Facade Scaffold**



**Industrial Scaffold**



**Access**



**Protection Scaffold**



**Safety Systems**



**System-Independent Accessories**



**Services**



**PERI GmbH**  
**Formwork Scaffolding Engineering**  
 Rudolf-Diesel-Strasse 19  
 89264 Weissenhorn  
 Germany  
 Tel. +49 (0) 7309.950-0  
 Fax +49 (0) 7309.951-0  
 info@peri.com  
 www.peri.com